

URBANE  
by boori

# Sleigh

---

Cot bed



**IMPORTANT:  
PLEASE READ THE INSTRUCTIONS CAREFULLY  
AND KEEP FOR FUTURE REFERENCE**



**IMPORTANT: THE ASSEMBLY OF THIS PRODUCT REQUIRES TWO PEOPLE  
READ ALL INSTRUCTIONS BEFORE ASSEMBLY AND USE OF THE PRODUCT.**

Boori Australia Pty Ltd  
18-20 Charles Street  
St. Marys Sydney NSW  
2760 Australia  
Ph: 61 2 9833 3769  
Fax: 61 2 9673 4240  
www.boori.com.au

Boori (Europe) Ltd  
Unit 1, Transigo  
Gables Way  
Thatcham, Berkshire,  
RG19 4JZ  
Ph: (44) 016 3529 5670  
Fax: (44) 016 3587 7552  
www.boori.co.uk

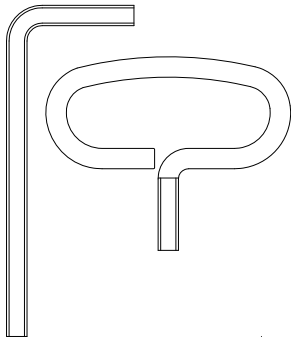
Halim & Boori Company 10F.  
Halim INT'L B/D, #1674-4,  
Secho-Dong, Seocho-Gu,  
Seoul, Korea  
Tel: +82-2-598-1470  
Fax: +82-2-583-8885  
E-mail : ted@boori.co.kr  
Postal code: 137-725.

ブーリジャパン(株)  
〒541-0057  
大阪府大阪市中央区北久宝寺町  
4-2-10  
Ph : 06-4963-3939  
Fax : 06-4963-3900  
E-mail : info@boori.co.jp

## Instructions for Sleigh Cot bed (U-SLCB)

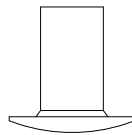
### Hardware and Parts List

2 x Allen Keys



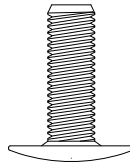
4 x  
Capping  
nuts

**A**



8 x  
18mm  
Connecting  
bolts

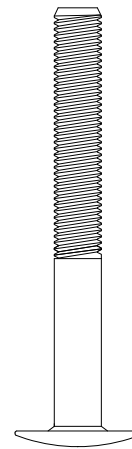
**B**



Actual size

4 x  
54mm  
Connecting  
bolts

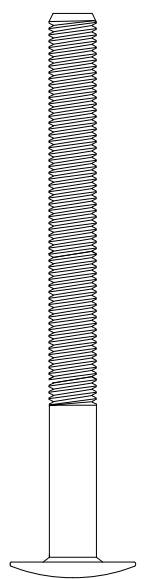
**C**



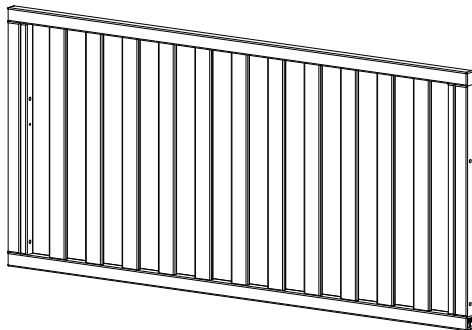
Actual size

8 x  
70mm  
Connecting  
bolts

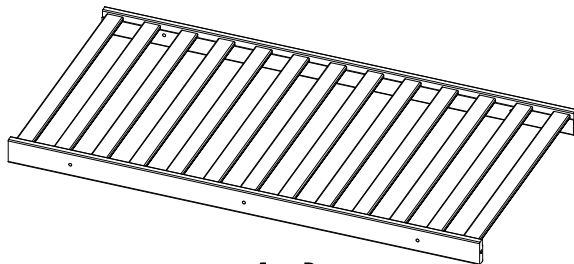
**D**



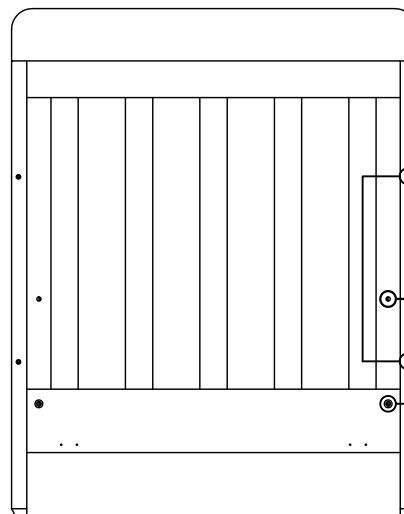
Actual size



2 x Fixed Side Panels



1 x Base



2 x End Panels (Identical)

Connecting Bolts  
Holes

Top Hole  
high Base position  
(for newborn)

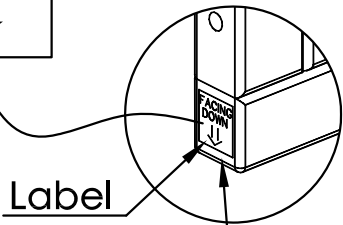
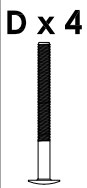
Bottom Hole  
low Base position  
(for baby)

**NOTE:** Use only spare parts approved by the manufacturer.

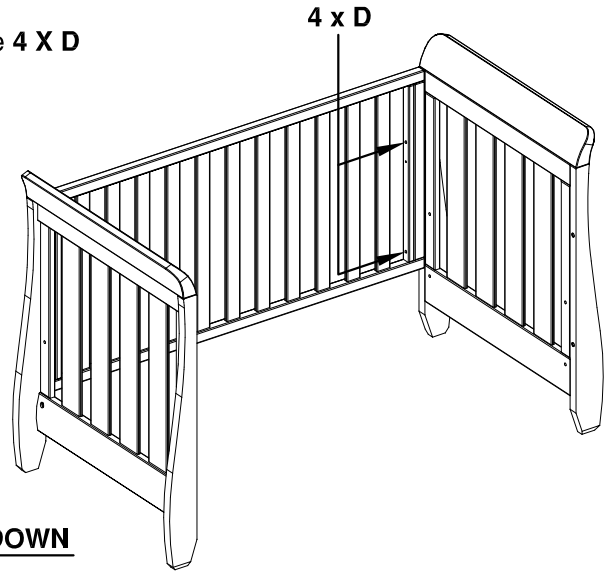
# ASSEMBLY INSTRUCTIONS

## Step 1: Attach one Fixed Side Panel

**A:** Connect one **Fixed Side Panel** to the two **End Panels** with the **4 X D** (70mm) connecting bolts provided.  
(Do not tighten at this step).

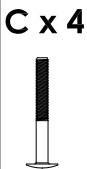


**NOTE: THIS SIDE FACING DOWN WHEN USE AS A COT.**



## Step 2: Attach the Base

Connect **Base** to the two **End Panels** with the **4 X C** (54mm) connecting bolts provided.  
(Do not tighten at this step).

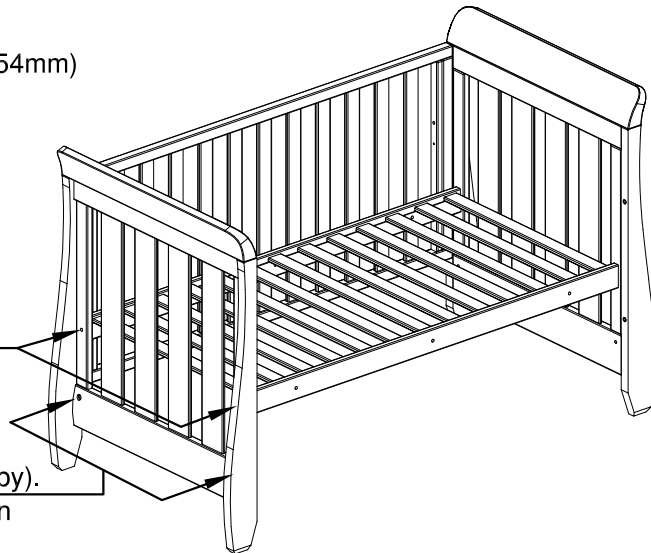


**Top Hole** high base position (for newborn).

**4 x C**

**Bottom Hole** low base position (for baby).

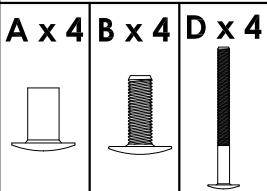
**NOTE:** Base should be lowered to this position before child is able to sit up.



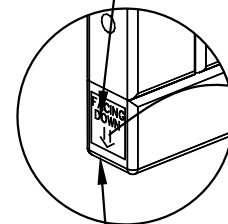
## Step 3: Attach the other Fixed Side Panel

Connect the other **Fixed Side Panel** to the two **End Panels** with the **4 X D** (70mm) connecting bolts provided.

Then cover remaining holes with **4 X B** (18mm) connecting bolts & **4 X A** capping nuts.



Label



**NOTE: THIS SIDE FACING DOWN WHEN USE AS A COT.**

**4 x D**

**Tighten all connecting bolts in Base and Fixed Side Panels.**

# ASSEMBLY INSTRUCTIONS

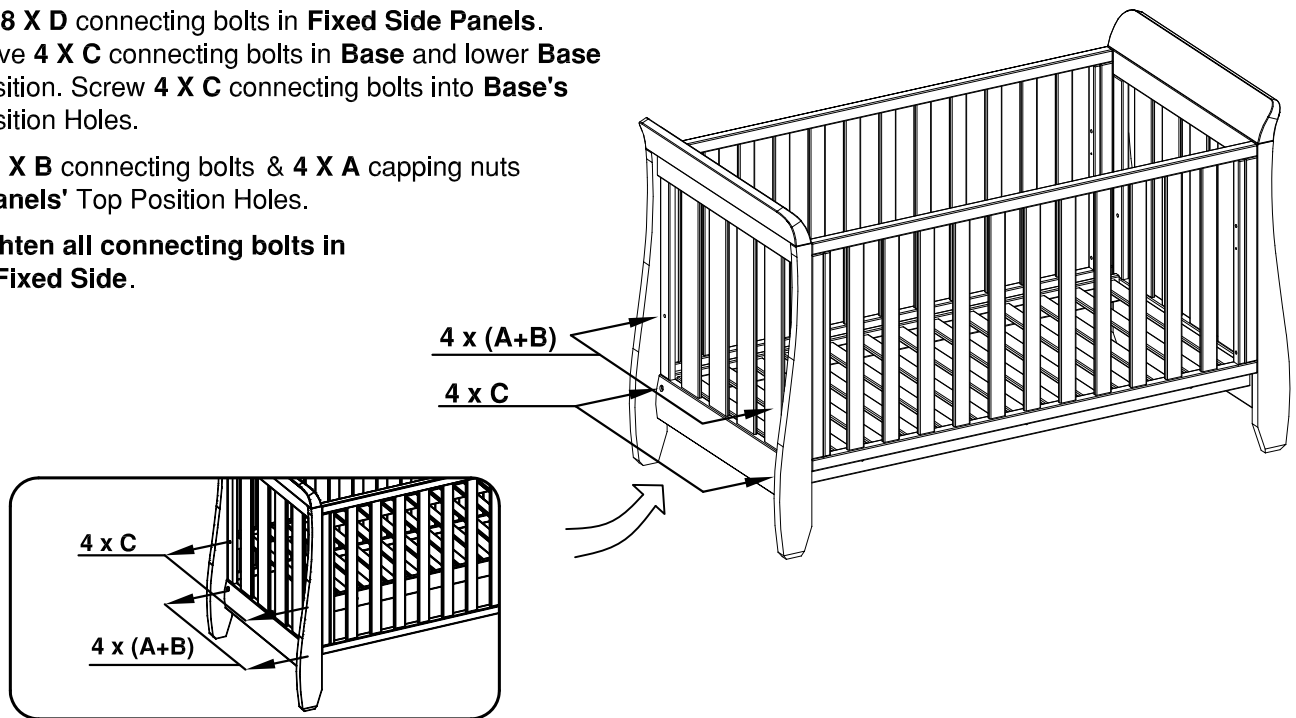
## Step 4: Lower the **Base** height

**A:** Remove **4 X B** connecting bolts & **4 X A** capping nuts from bottom holes in **End Panels**.

**B:** Loosen **8 X D** connecting bolts in **Fixed Side Panels**. Then remove **4 X C** connecting bolts in **Base** and lower **Base** to baby position. Screw **4 X C** connecting bolts into **Base's** Bottom Position Holes.

**C:** Screw **4 X B** connecting bolts & **4 X A** capping nuts into **End Panels'** Top Position Holes.

**NOTE:** Tighten all connecting bolts in **Base** and **Fixed Side**.



**⚠** Base should be lowered to this position before child is able to sit up.

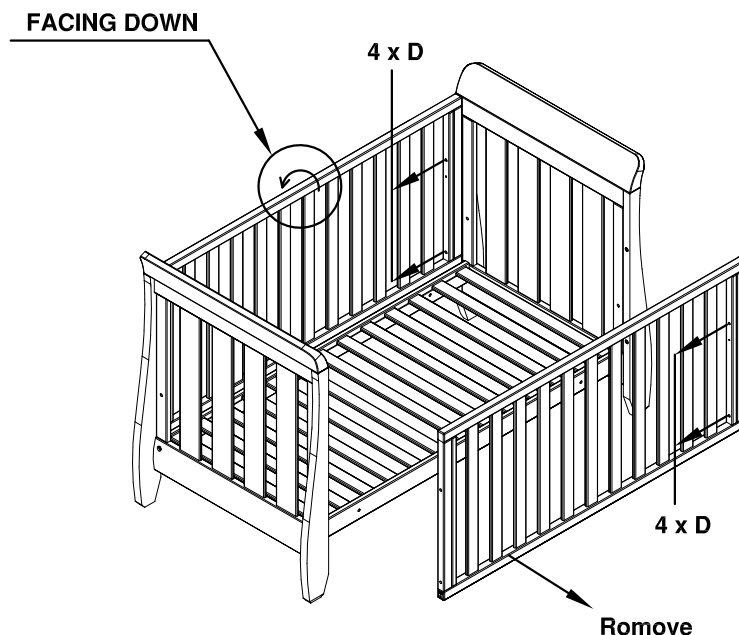
## CONVERT YOUR COT TO COT BED

### Step 1:

**A:** Reposition the **Base** to **Bottom Holes'** position assemble.

**B:** Remove **4 X D** in one **Fixed Side Panel**, Loosen **4 X C** in **Base**, then pull **End Panels** apart and remove the **Fixed Side Panel**.

**C:** Remove **4 X D** in the other **Fixed Side Panel**, Turn the **Fixed Side Panel** around and reassemble.



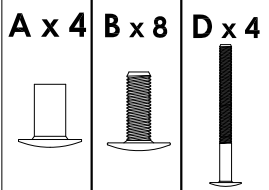
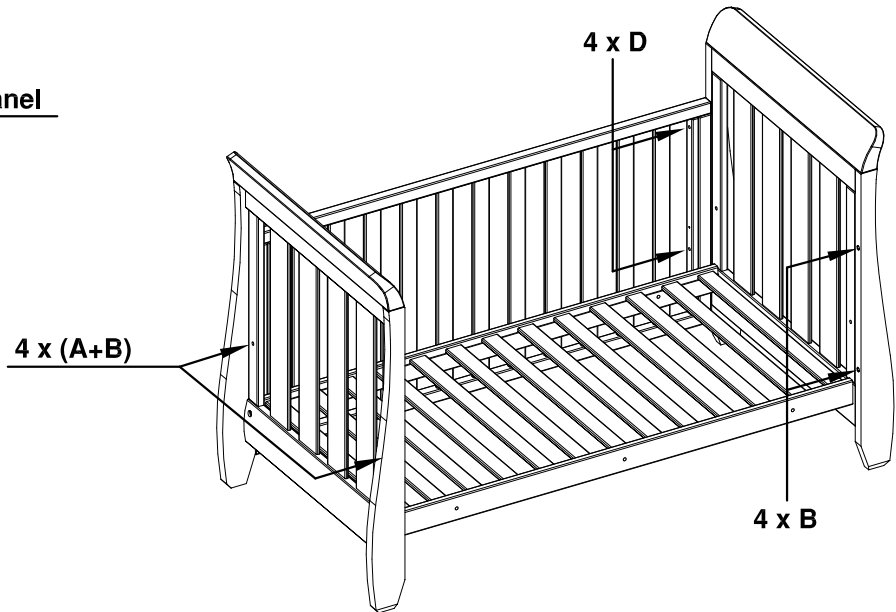
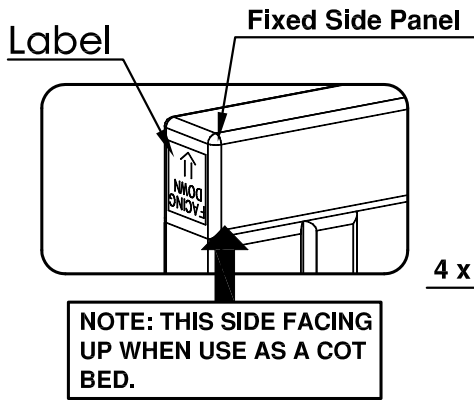
# ASSEMBLY INSTRUCTIONS

## Step 2:

**A:** Connect **Fixed Side Panel** to the two **End Panels** with the **4 X D** connecting bolts.

**B:** Block the remaining holes with **4 X B** connecting bolts, **4 X B** connecting bolts & **4 X A** capping nuts in **End Panels**.

**Tighten all the connecting bolts.**



## CONVERT YOUR COT TO TODDLER BED

The Toddler Bed Conversion, item **B-TGP (Universal Toddler guard panel)** is sold separately and available in matching finish. Please contact your Boori dealer for more information.

