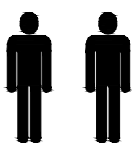
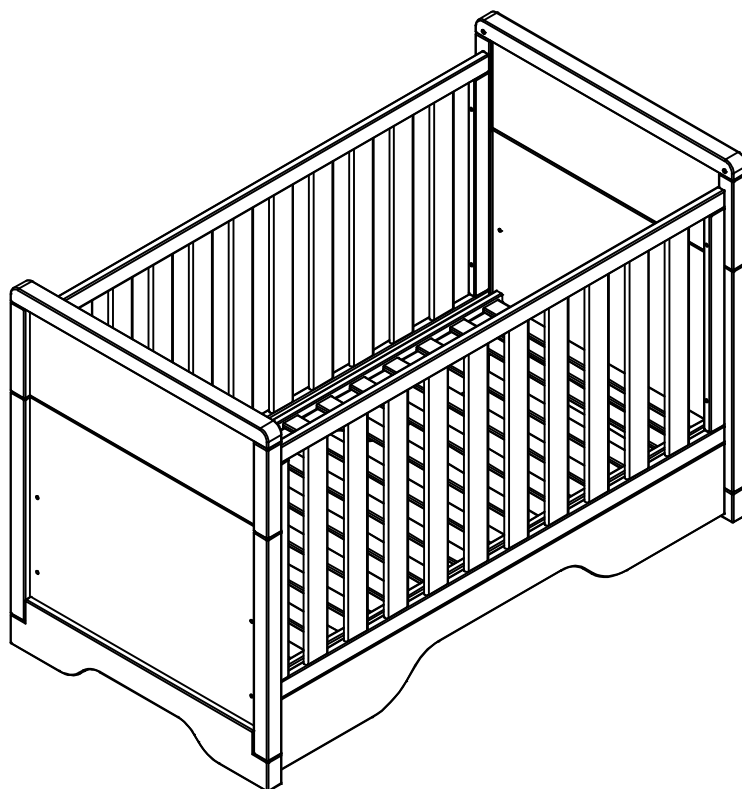




# Boori Urbane DECO Cot Bed

## Assembly Instructions



**IMPORTANT:**  
THE ASSEMBLY OF THIS PRODUCT  
REQUIRES TWO PEOPLE

**IMPORTANT:**  
PLEASE READ THE INSTRUCTIONS CAREFULLY AND KEEP FOR FUTURE REFERENCE

Read all instructions BEFORE assembly and USE of the product. KEEP INSTRUCTIONS FOR FUTURE USE.

# \*IMPORTANT, RETAIN FOR FUTURE REFERENCE\* PLEASE READ CAREFULLY

Boori Australia Pty Ltd  
18-20 Charles Street  
St.Marys Sydney NSW  
2760 Australia  
Ph: (61 2) 9833 3769  
Fax: (61 2) 9673 4240  
www.boori.com.au

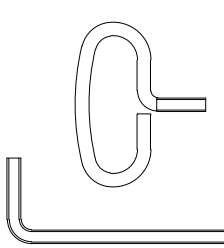
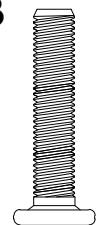
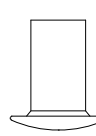
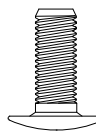
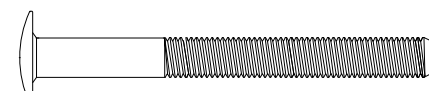
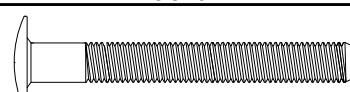
Boori (UK) Ltd  
Unit 1, Transigo  
Gables Way  
Thatcham, RG19 4ZA  
Ph: (44) 016 3529 5670  
Fax: (44) 016 3587 7552  
www.boori.co.uk

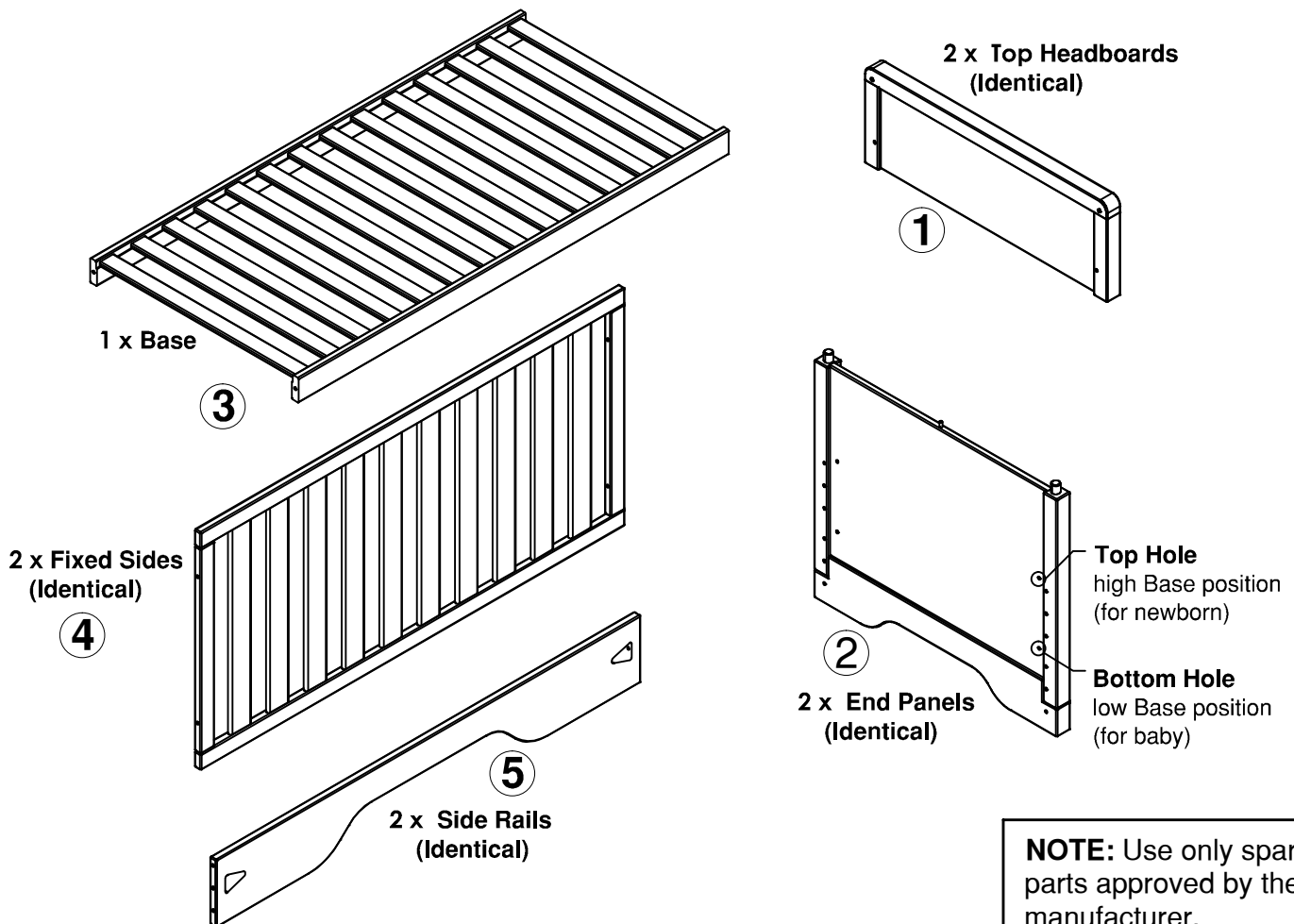
Boori USA LLC  
20 Chapin Road, Suite 1001  
Po Box 406  
Pine Brook, NJ 07058  
Ph: +1 973 577 6933  
Fax: +1 973 577 6934  
www.boori.com

ブーリジャパン株式会社  
〒541-0057 大阪市中央区北久宝寺町  
4丁目2-10  
Tel: 06-4963-3939  
Fax: 06-4963-3900  
www.boori.jp

## Instructions for Boori Urbane DECO Cot Bed (BUE-DECB)

### Hardware and Parts List

2x Allen Keys	4 x 30mm Connecting bolts	4 x 14mm Capping nuts	8 x 13mm Connecting bolts	12 x 60mm Connecting bolts
<b>A</b> 	<b>B</b>  Preassemble into the Headboard	<b>C</b> 	<b>D</b> 	<b>E</b> 
				<b>F</b> 

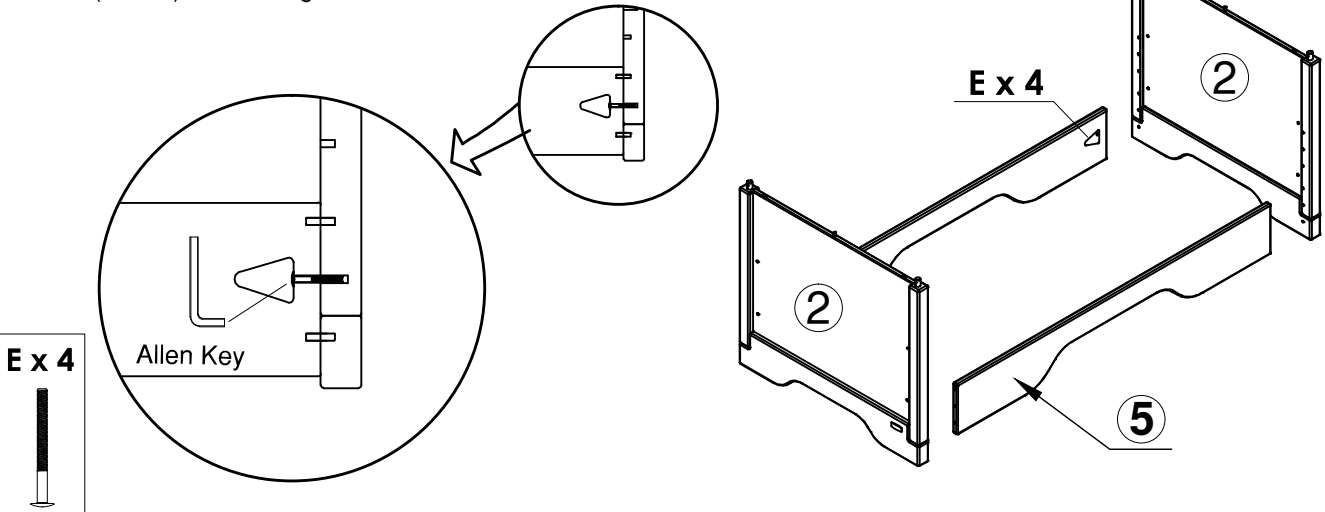


**NOTE:** Use only spare parts approved by the manufacturer.

# ASSEMBLY INSTRUCTIONS

## Step 1: Attach the End Panels and Side Rails

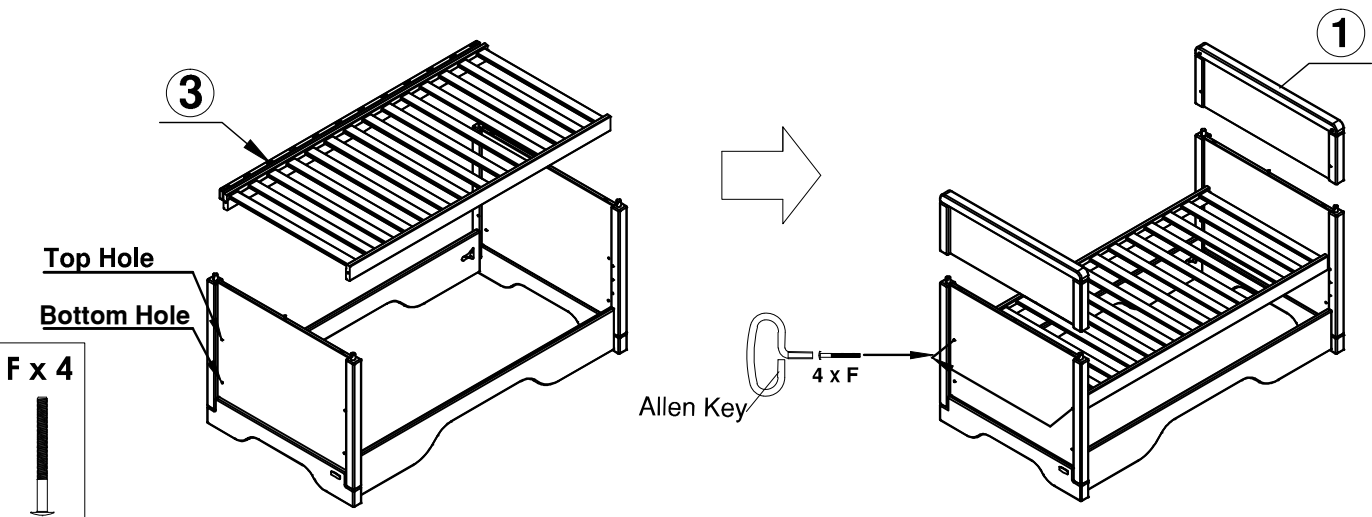
Attach the **Side Rails** to the **End Panels** with the **4 x E** (60mm) connecting bolts.



## Step 2: Attach the Base, Connect Top Headboards and End panels

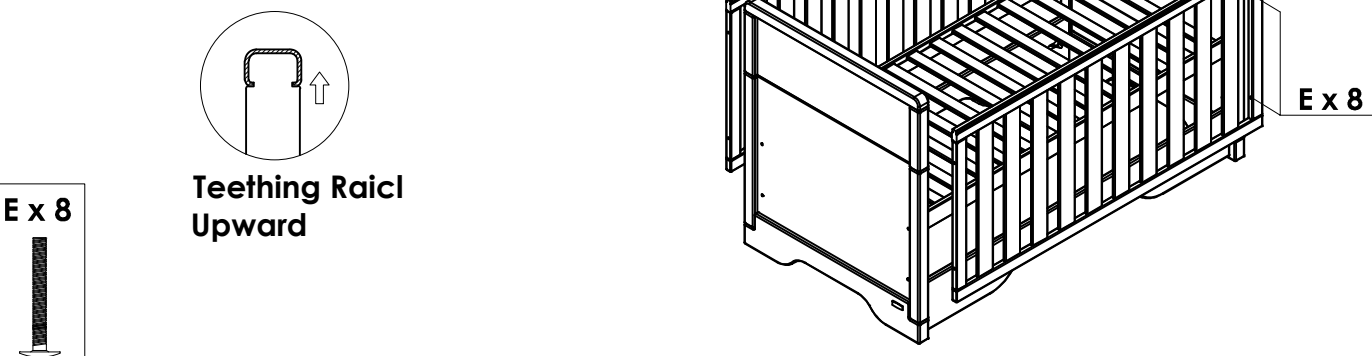
Connect **Base** to the two **End Panels** with the **4 x F** (47mm) connecting bolts.

**Note:** **Top Hole** for the newborn position  
**Bottom Hole** for baby position.



## Step 3: Attach the Fixed Sides

Connect **Fixed Sides** to the two **End Panels** with the **8 x E** (60mm) connecting bolts provided.

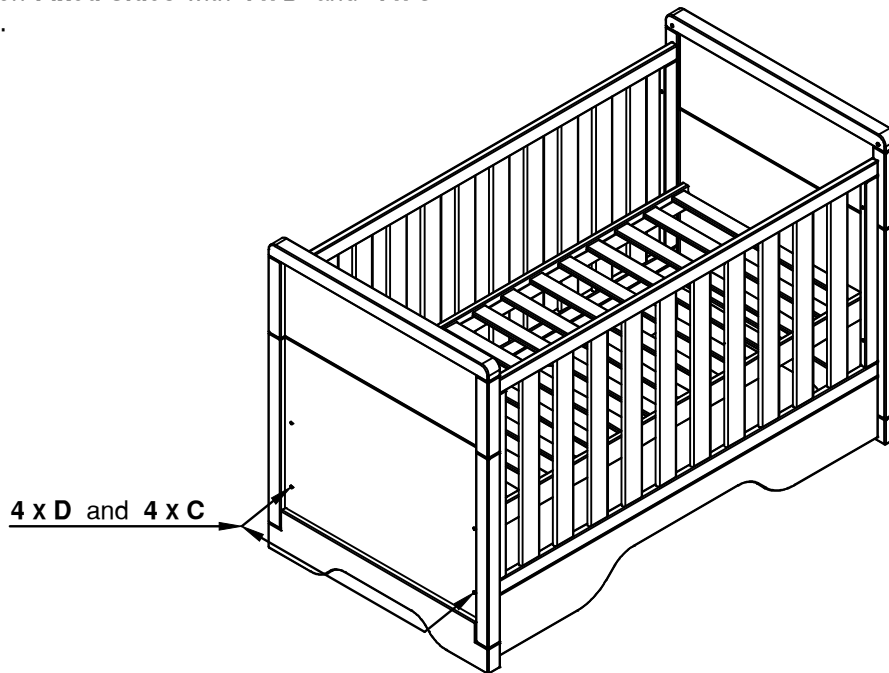


# ASSEMBLY INSTRUCTIONS

## **Step 4:**

**Tighten all connecting bolts in Base and Fixed Sides.**

Block holes left on **Fixed Sides** with **4 x D** and **4 x C** connecting bolts.

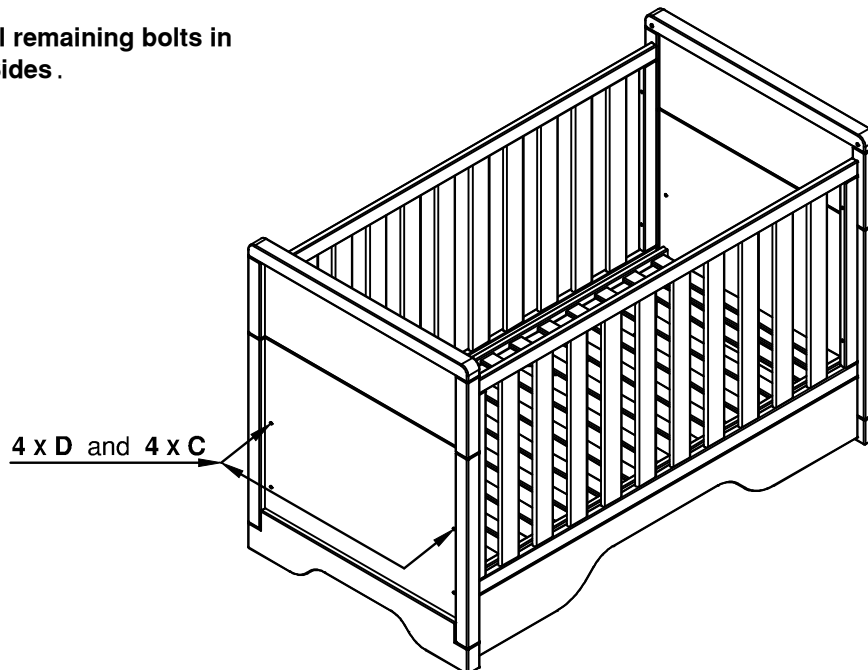


## **Step 5:** Lower the **Base** height

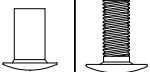
Remove **4 x E** connecting bolts in **Base** and lower base to baby position. Screw **4 x E** connecting bolts into **Base**.

Block holes left on **Fixed Sides** with **4 x D** and **4 x C** connecting bolts.

**NOTE:** Tighten all remaining bolts in **Base and Fixed Sides**.



**C x 4** **D x 4**



**⚠ Base should be lowered to this position before child is able to sit up.**

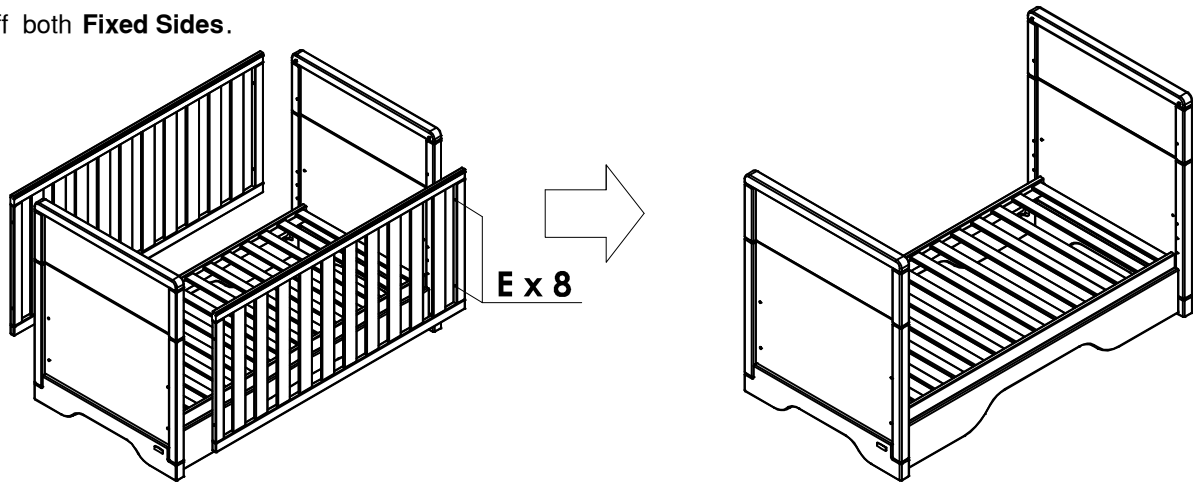
# CONVERT YOUR COT TO COT BED

## Step 1:

Ensure the **Base** is in the lower position.

Remove **8 x E** connecting bolts in **Fixed Sides**.

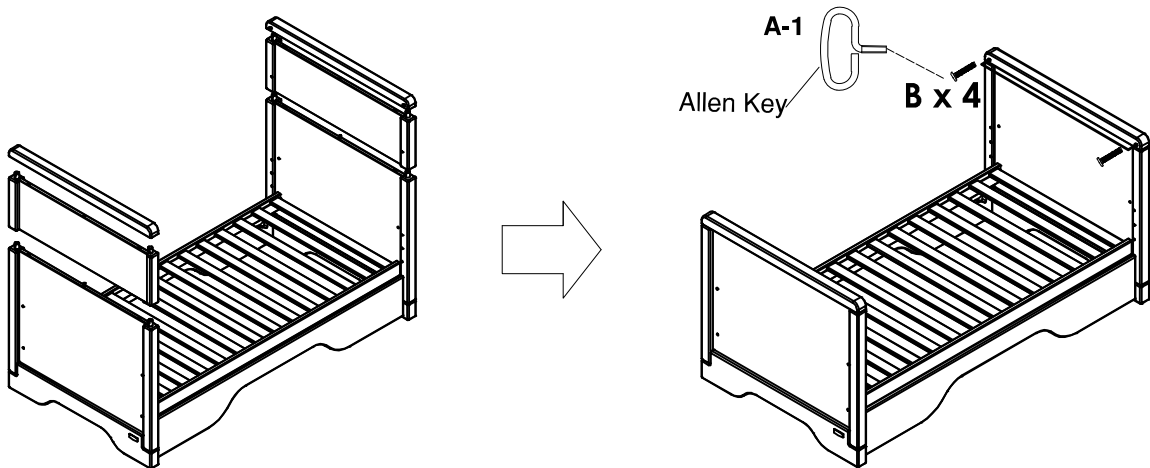
Take off both **Fixed Sides**.



## Step 2:

Dismantle the **Top Headboard**, then pull out the **Bottom Headboard**.

Connect the **Top Headboards** to the **End Panel** with **4 x A**.

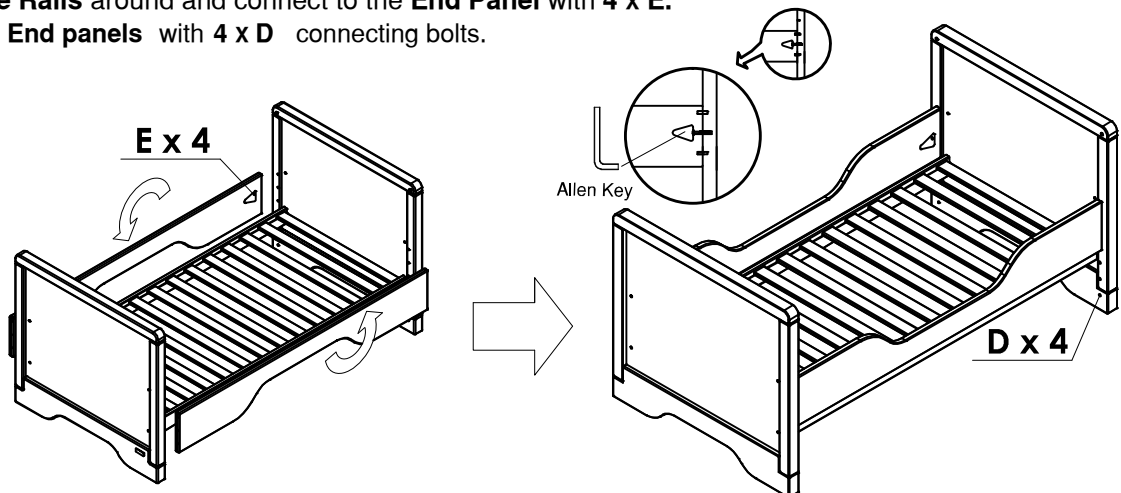


## Step 3:

Unassemble the **Side Rails** by removing **4 x E**.

Then turn the **Side Rails** around and connect to the **End Panel** with **4 x E**.

Block holes left on **End panels** with **4 x D** connecting bolts.



D x 4

