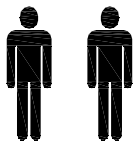




Boori Urbane Trinity Cotbed

Assembly Instructions



IMPORTANT:
THE ASSEMBLY OF THIS PRODUCT
REQUIRES TWO PEOPLE

IMPORTANT:
PLEASE READ THE INSTRUCTIONS CAREFULLY AND KEEP FOR FUTURE REFERENCE

Read all instructions BEFORE assembly and USE of the product. KEEP INSTRUCTIONS FOR FUTURE USE.

IMPORTANT, RETAIN FOR FUTURE REFERENCE PLEASE READ CAREFULLY

Boori Australia Pty Ltd
18-20 Charles Street
St. Marys Sydney NSW
2760 Australia
Ph: 61 2 9833 3769
Fax: 61 2 9673 4240

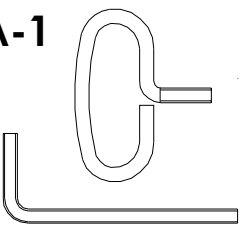
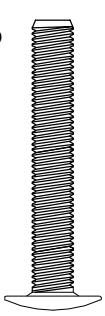
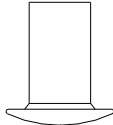
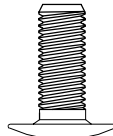
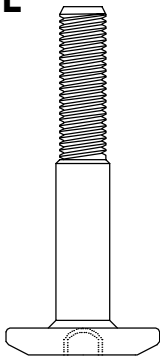
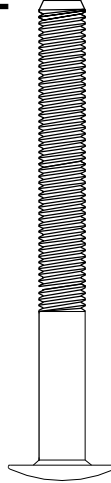
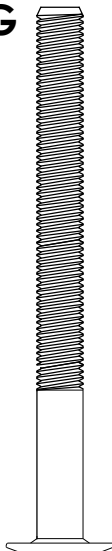
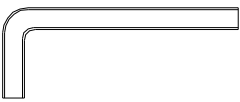
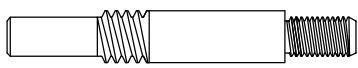

Boori (UK) Ltd
Unit 1, Transigo
Gables Way
Thatcham
RG19 4ZA
Ph: (44) 016 3529 5670
Fax: (44) 016 3587 7552

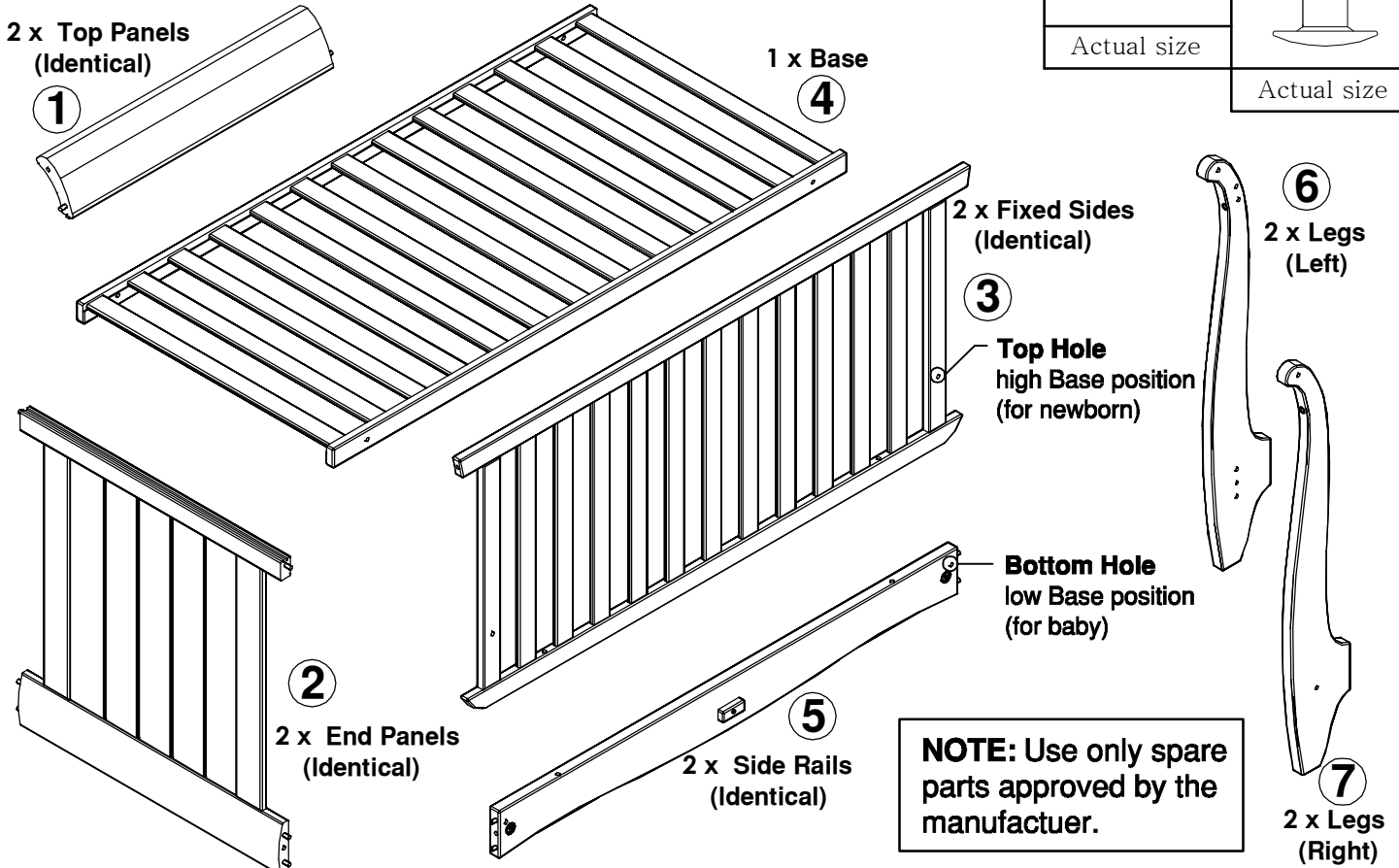
Boori USA LLC
20 Chapin Road, Suite 1001
Po Box 406
Pine Brook, NJ 07058
Ph: +1 973 577 6933
Fax: +1 973 577 6934

Boori Japan Co., Ltd
401A, 4-2-10 Kitakyuhoji-machi,
Chuo-ku, Osaka 541-0057 Japan
Ph: 06-4963-3939
Fax: 06-4963-3900
E-mail: info@boori.co.jp

Instructions for Boori Urbane Trinity Cotbed (BU-TCB)

Hardware and Parts List

3 x Allen Keys	4 x 40mm Connecting bolts	4 x 14mm Capping nuts	4 x 13mm Capping nuts	4 x 41mm Connecting bolts	12 x 60mm Connecting bolts	4 x 80mm Connecting bolts
A-1 	B 	C 	D 	E 	F 	G 
A-2 	4 x Connecting bolts	H  Actual size		 Actual size	Actual size	Actual size



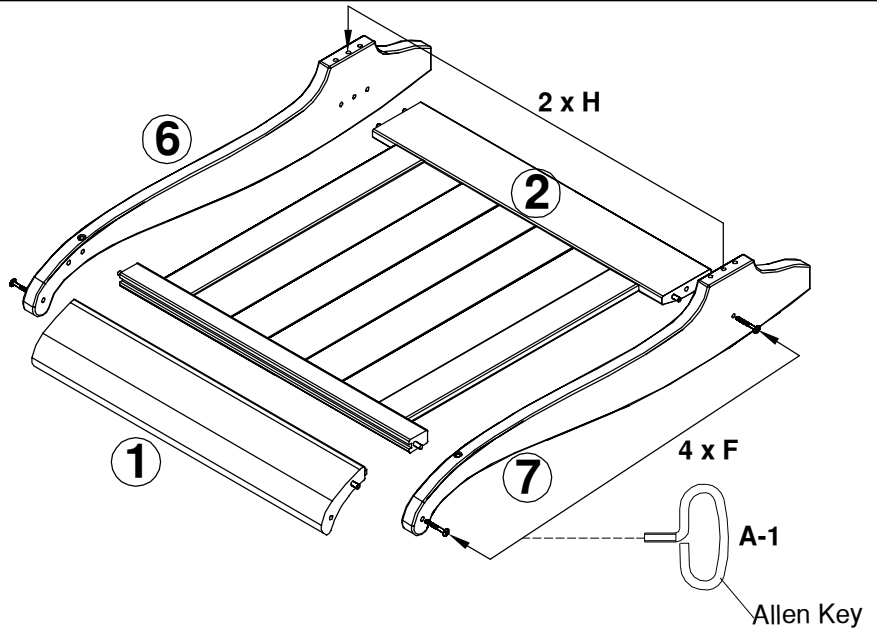
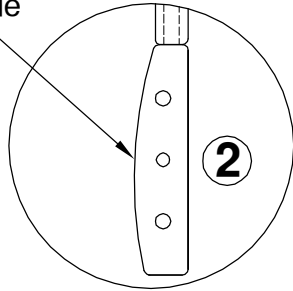
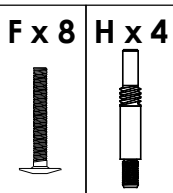
ASSEMBLY INSTRUCTIONS

Step 1: Attach the Headboards

Attach the **Headboards** with the **8 X F** (60mm) connecting bolts provided.

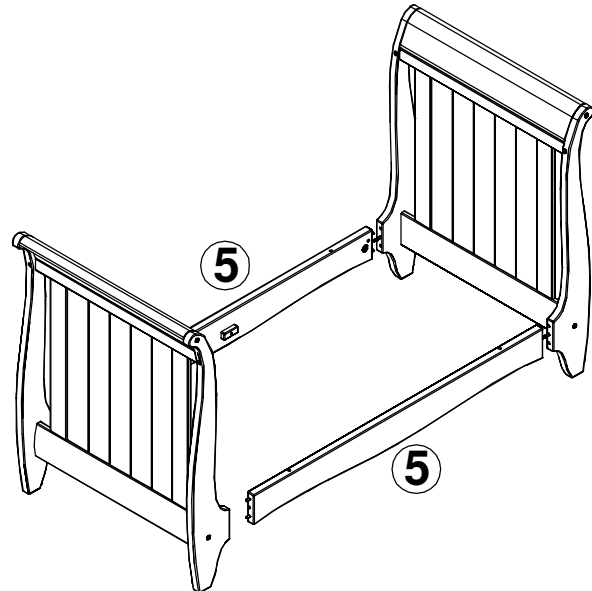
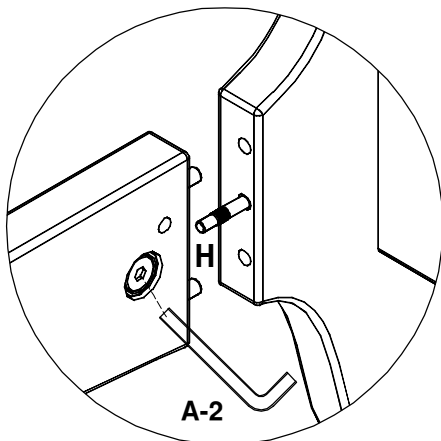
Preparation work: screw **4 X H** connecting bolts firmly provided into **Legs**.

Ensure this side is facing out



Step 2: Attach the Side Rails

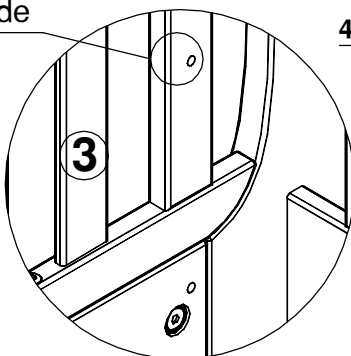
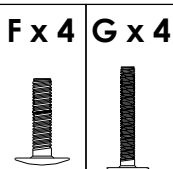
Connect **Side Rails** to the two **Headboards**, screw the pre-installed connecting bolts firmly with **A-2**.



Step 3: Attach the Fixed Sides

Connect **Fixed Sides** to the two **Headboards** with the **4 X G** (80mm) connecting bolts and **4 X F** (60mm) connecting bolts provided.

This hole inside



ASSEMBLY INSTRUCTIONS

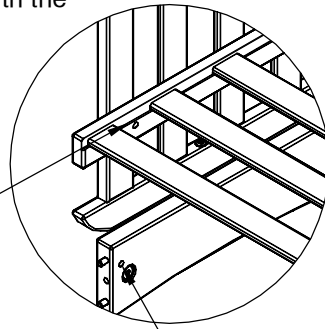
Step 4: Attach the Base

Connect **Base** to the two **Headboards** with the **4 X E** (41mm) connecting bolts provided.

Top Hole high base position (for newborn).

Bottom Hole low base position (for baby).
⚠ Base should be lowered to this position before child is able to sit up.

E x 4



Step 5:

Tighten all connecting bolts in **Base** and **Fixed Side**.



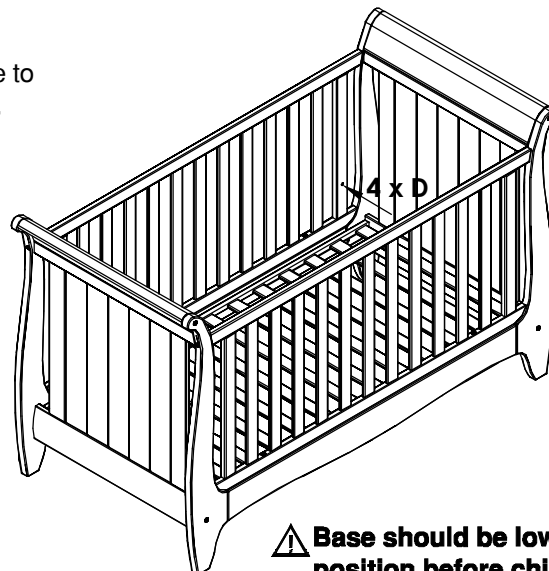
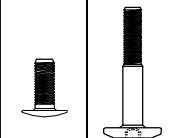
Step 6: Lower the Base height

Remove **4 X E** connecting bolts in **Base** and lower base to baby position. Screw **4 X E** connecting bolts into **Base**.

Block holes left on **Fixed Sides** with **4 X D** connecting bolts.

NOTE: Tighten all remaining bolts in **Base** and **Fixed Side**.

D x 4 E x 4



⚠ Base should be lowered to this position before child is able to sit up.

CONVERT YOUR COT TO COT BED

Step 1:

Ensure the **Base** in the lower position.

Remove **4 X G** connecting bolts and **4 X F** connecting bolts in **Fixed Side**.

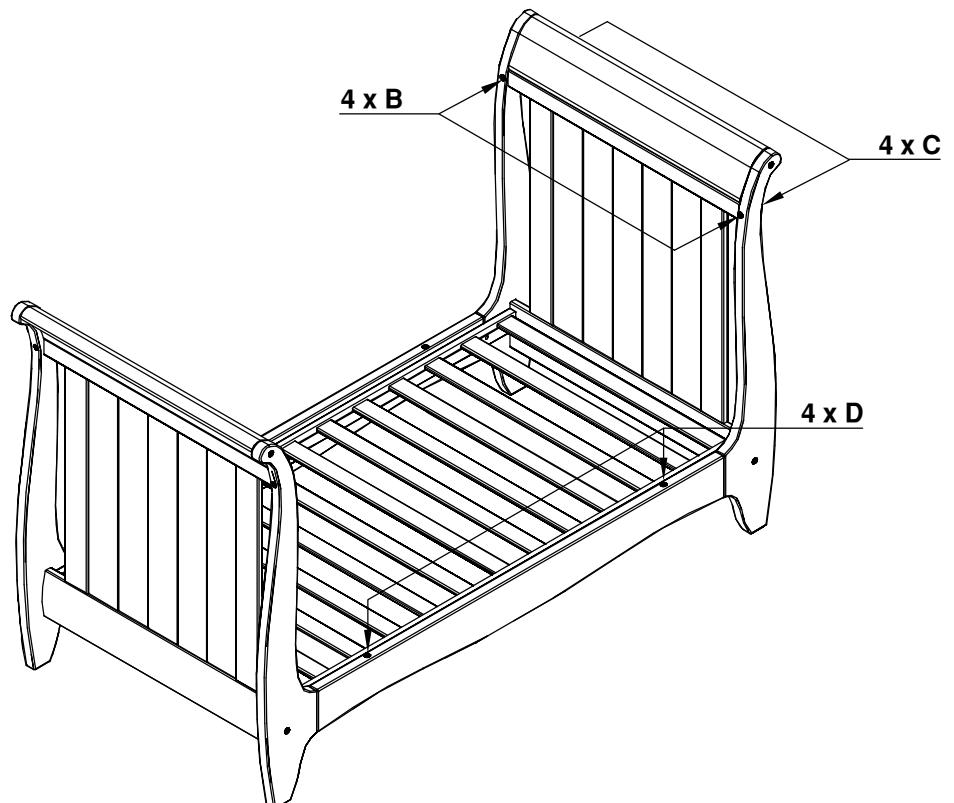
Remove both **Fixed Sides**.



Step 2:

Block the remaining holes with **4 X B**, **4 X D** connecting bolts & **4 X C** capping nuts.

Tighten all the connecting bolts.



B x 4 **C x 4** **D x 4**



CONVERT YOUR COT TO SOFA

Step 1:

Ensure the **Base** in the lower position.

Remove **2 X G** connecting bolts and **2 X F** connecting bolts in **Fixed Side**.

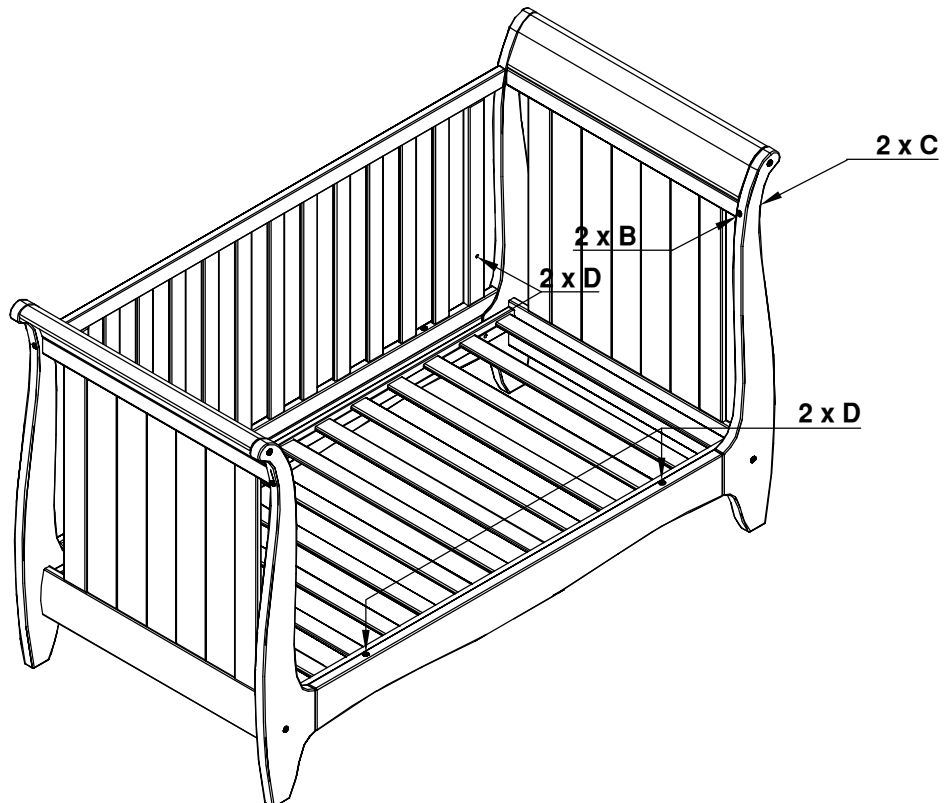
Remove one **Fixed Side**.



Step 2:

Block the remaining holes with **2 X B**, **4 X D** connecting bolts & **2 X C** capping nuts.

Tighten all the connecting bolts.



B x 2 **C x 2** **D x 4**

