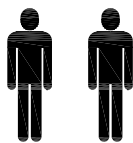
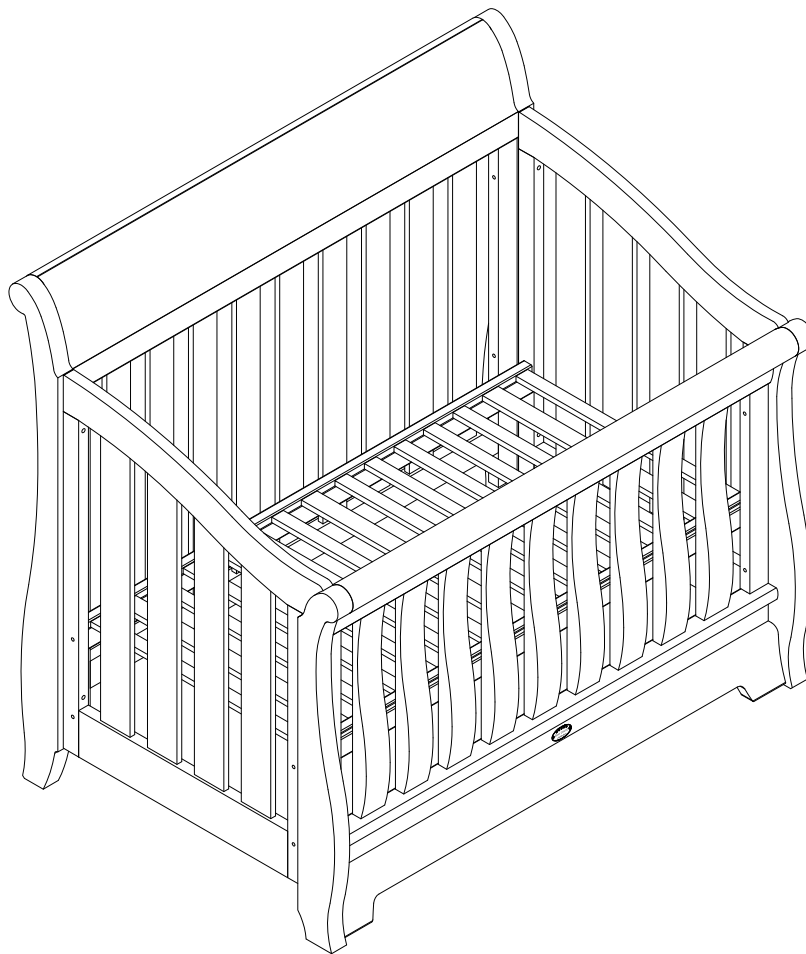




Boori Country Sleigh Royale Forever Crib

Assembly Instructions



IMPORTANT:
THE ASSEMBLY OF THIS PRODUCT
REQUIRES TWO PEOPLE

IMPORTANT:
PLEASE READ THE INSTRUCTIONS CAREFULLY AND KEEP FOR FUTURE REFERENCE

Read all instructions BEFORE assembly and USE of the product. KEEP INSTRUCTIONS FOR FUTURE USE.

IMPORTANT, RETAIN FOR FUTURE REFERENCE PLEASE READ CAREFULLY

Boori International Pty Ltd
18-20 Charles Street
St. Marys Sydney NSW
2760 Australia
Ph: 61 2 9833 3769
Fax: 61 2 9673 4240

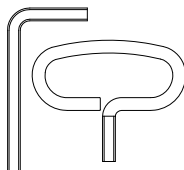
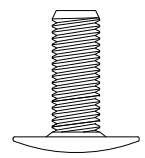
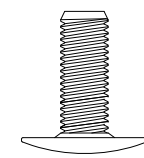
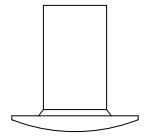
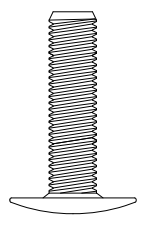
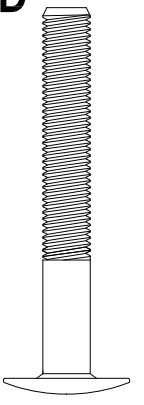
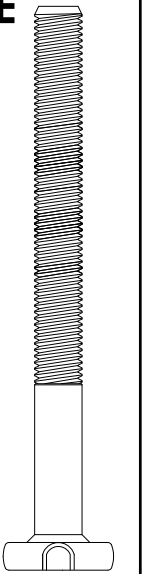
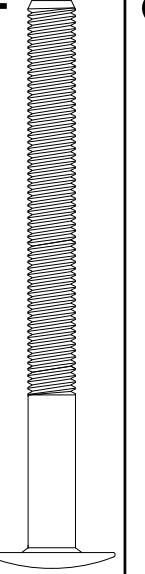
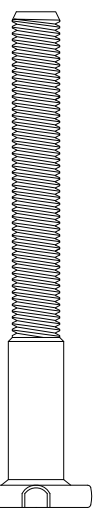
Boori (UK) Ltd
Unit 1, Transigo
Gables Way
Thatcham
RG19 4ZA
Ph: (44) 016 3529 5670
Fax: (44) 016 3587 7552

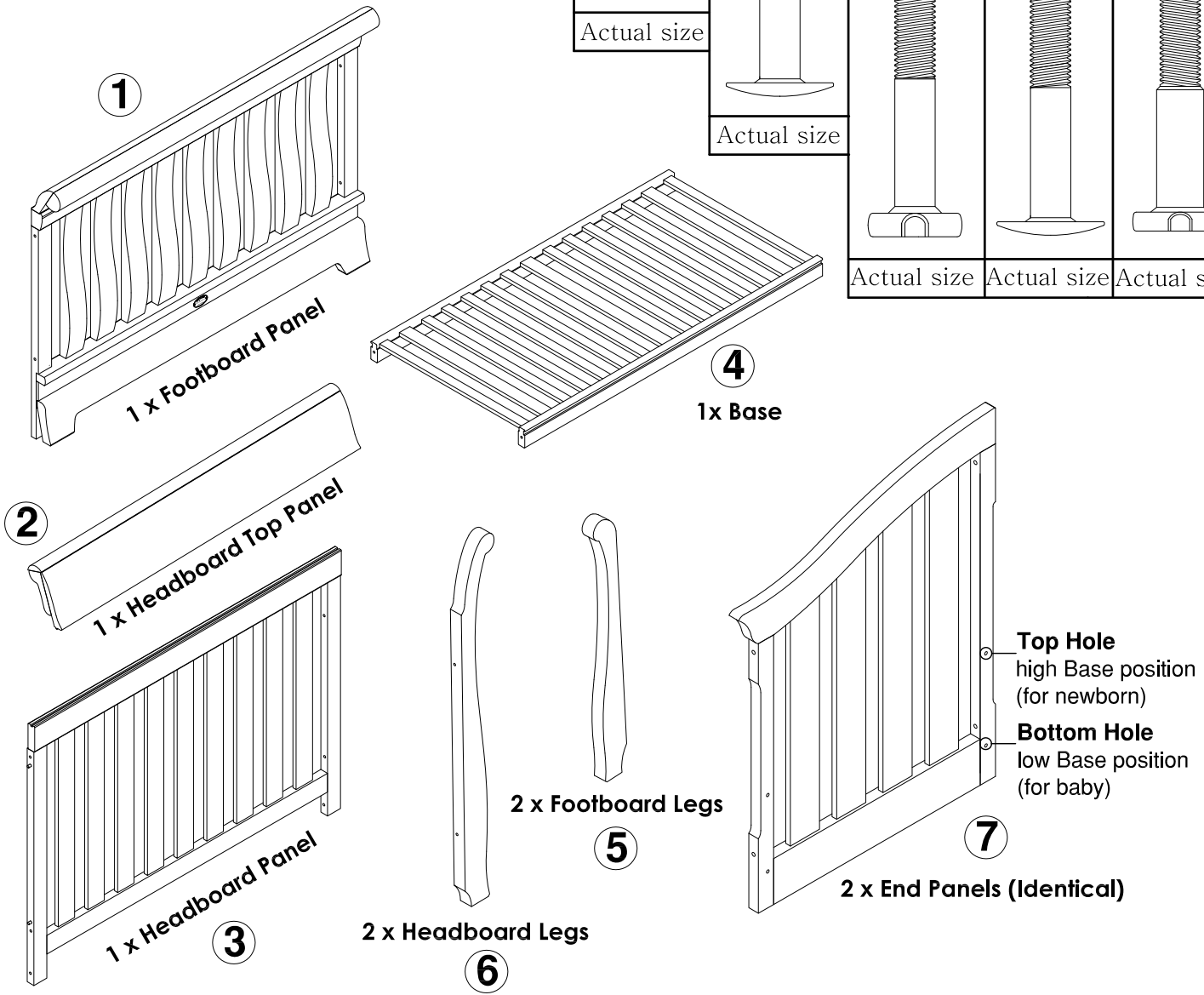
Boori USA LLC
20 Chapin Road, Suite 1001
Po Box 406
Pine Brook, NJ 07058
Ph: +1 973 577 6933
Fax: +1 973 577 6934

Boori Japan Co., Ltd
401A, 4-2-10 Kitakyuhoji-machi,
Chuo-ku, Osaka 541-0057 Japan
Ph: 06-4963-3939
Fax: 06-4963-3900
E-mail: info@boori.co.jp

Instructions for Boori Country Sleigh Royale Forever Crib (BCA-SLRFE)

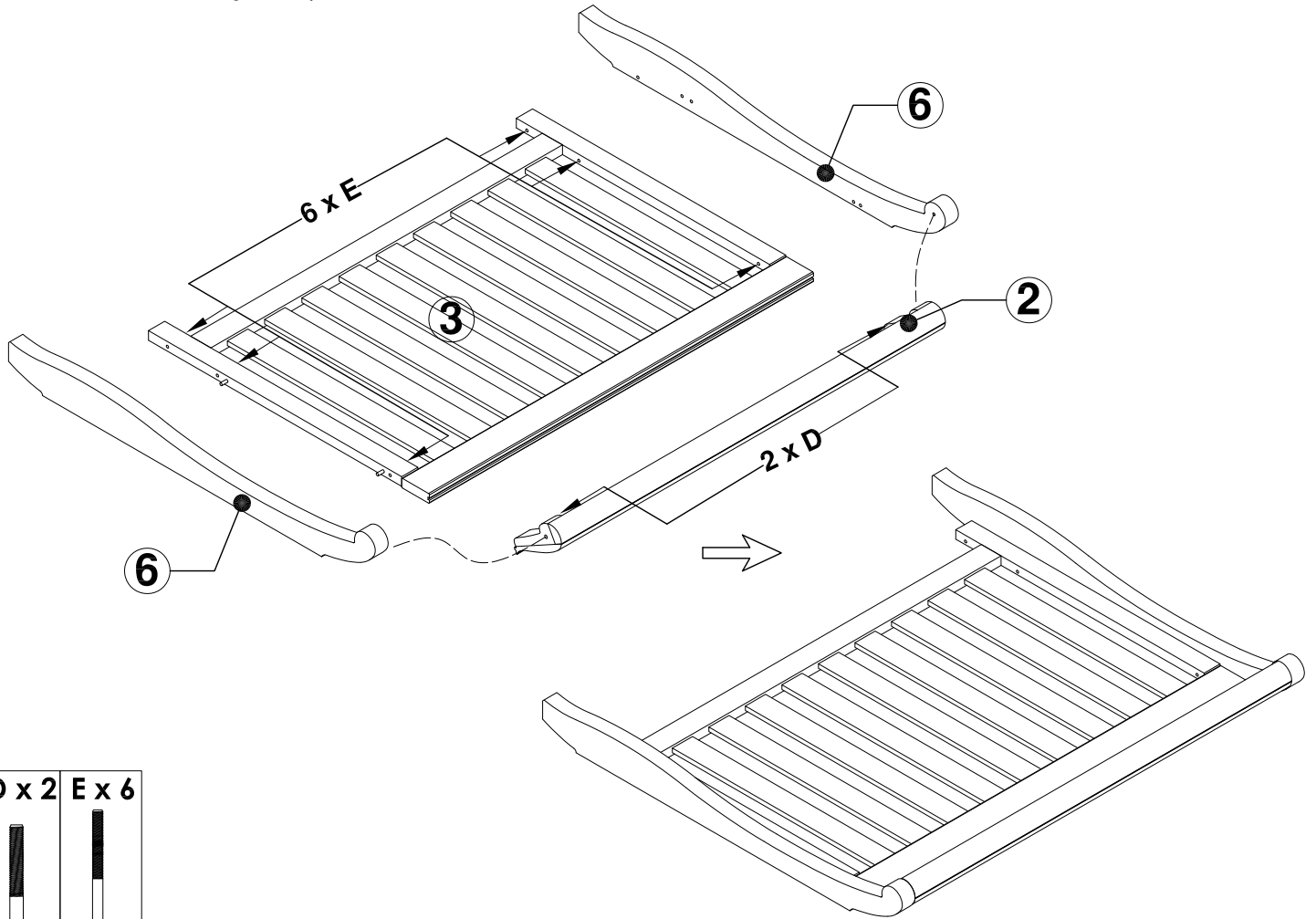
Hardware and Parts List

2 x Allen Keys	4 x M6x18mm Connecting bolts	4 x M6x18mm Connecting bolts	4 x M6x14mm Capping nuts	4 x M6x23mm Connecting bolts	2 x M6x47mm Connecting bolts	10 x M6x68mm Connecting bolts	4 x M6x70mm Connecting bolts	8 x M6x60mm Connecting bolts
	A 	A 	B 	C 	D 	E 	F 	G 
	Actual size	⚠ For a full bed	Actual size	Actual size	Actual size	Actual size	Actual size	Actual size

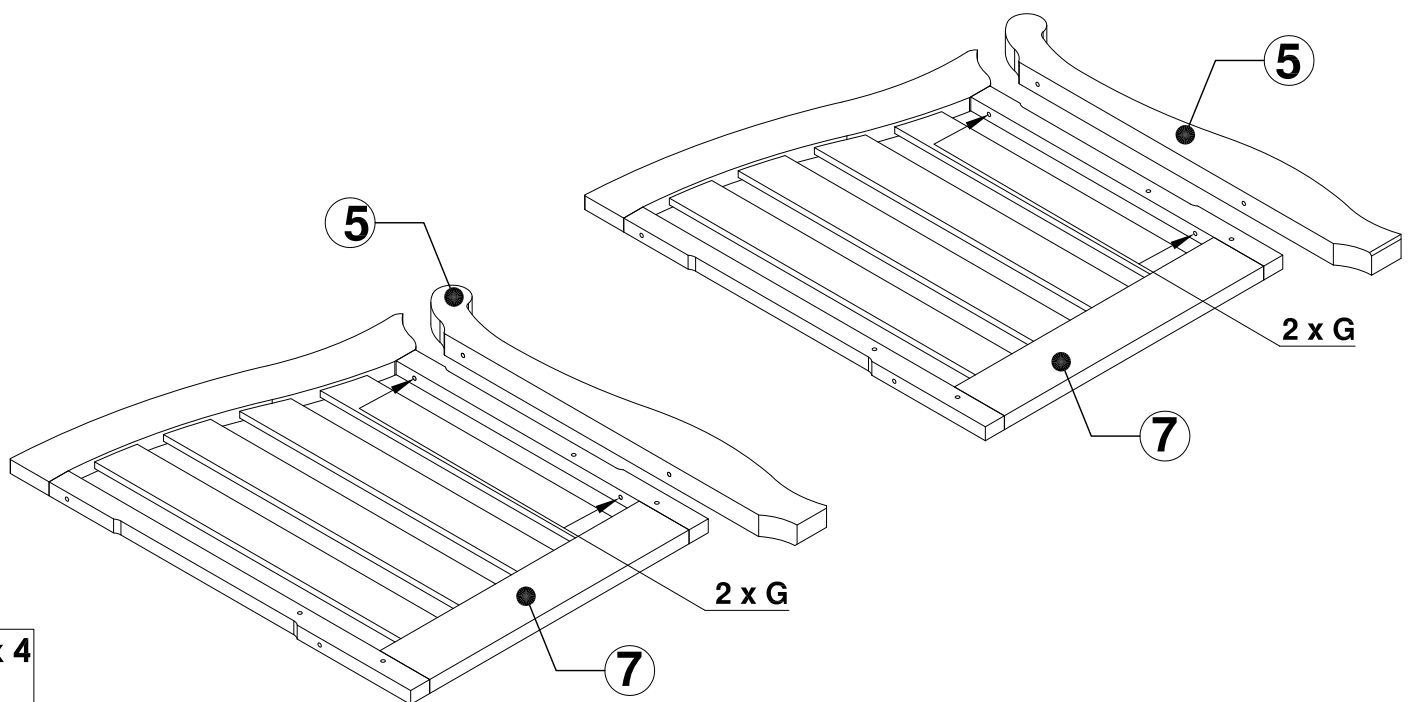


ASSEMBLY AS A CRIB

Step 1: Assemble **Headboard** with parts **②③⑥**, as shown with **6 x E** connecting bolts and **2 x D** connecting bolts provided.

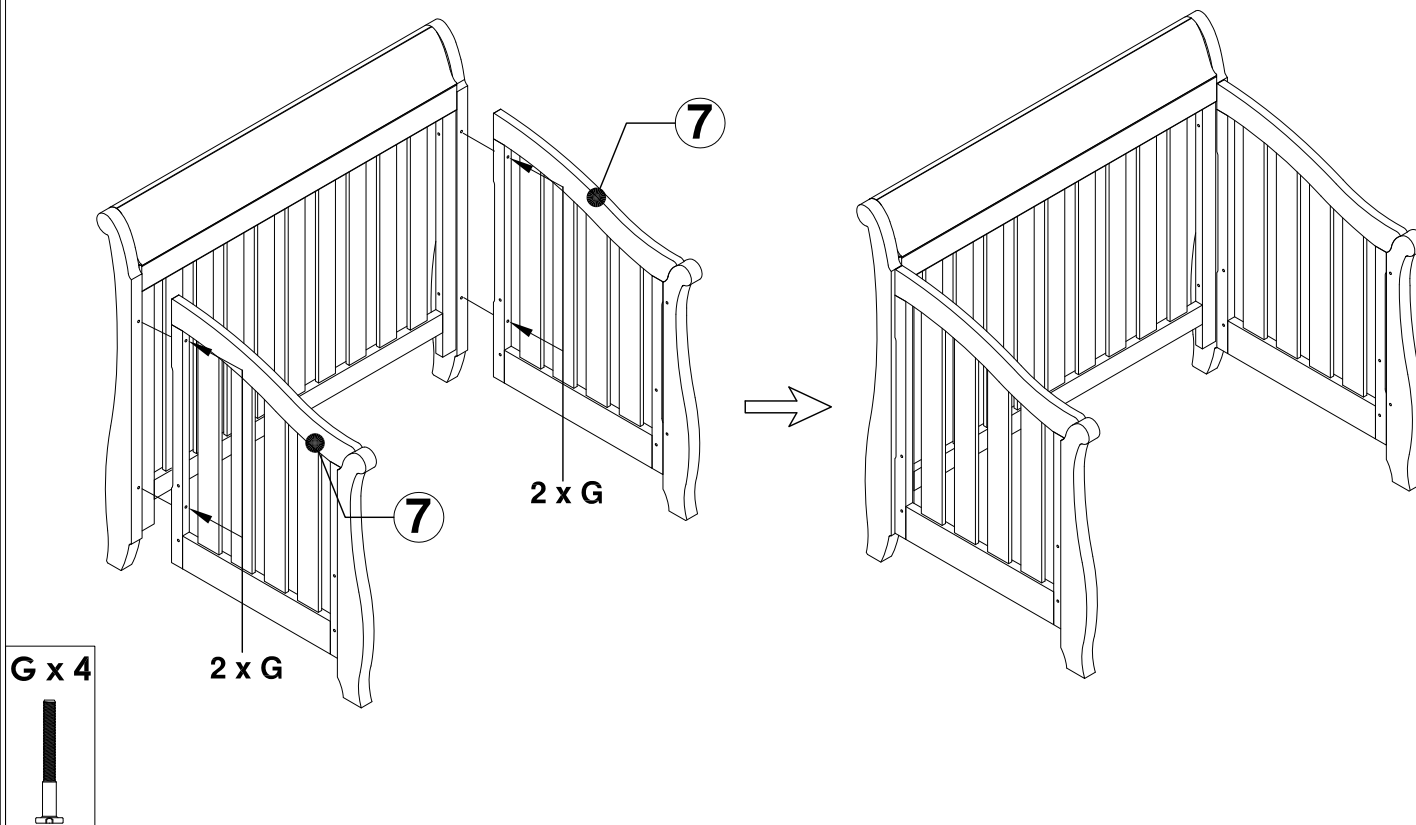


Step 2: Assemble **End Panels** **⑦** with **Footboard Legs** **⑤**, as shown with **4 x G** connecting bolts provided.



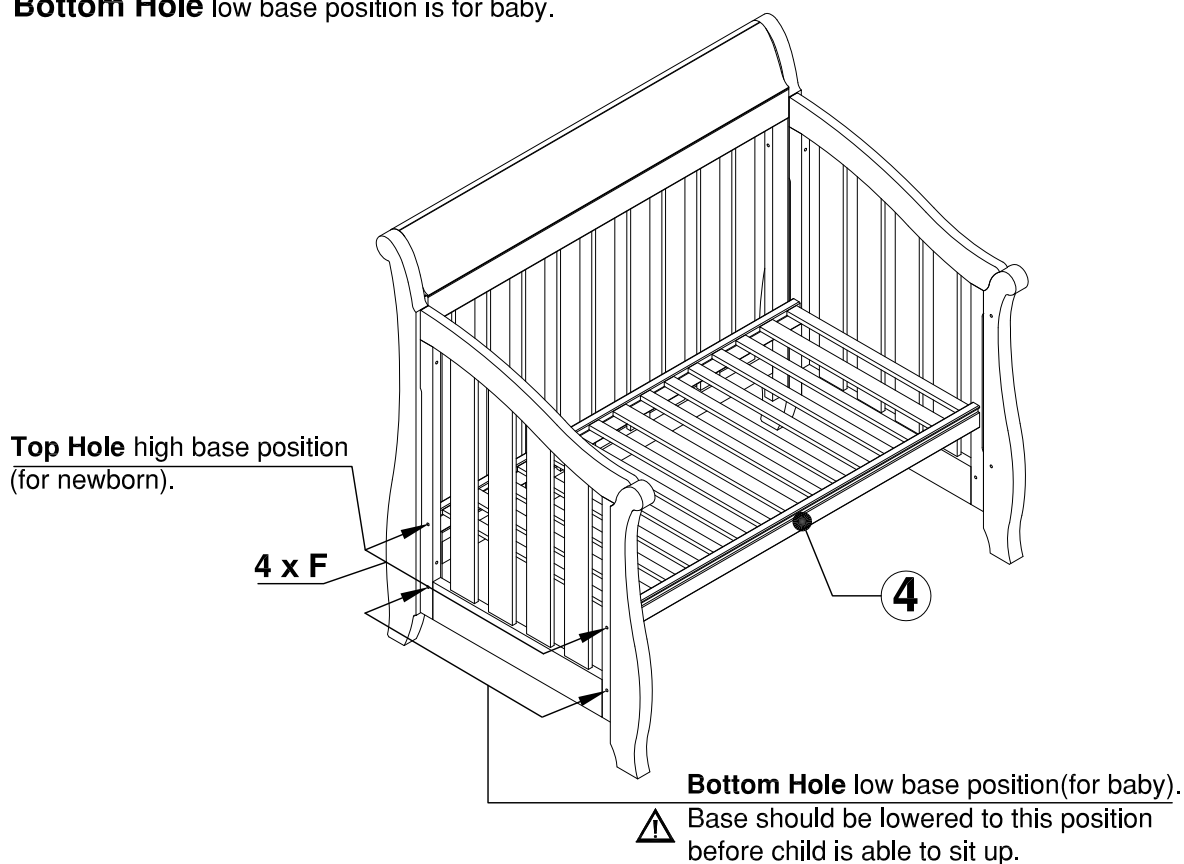
ASSEMBLY AS A CRIB (CONTINUED)

Step 3: Connect **Headboard** to the two **End Panels** (7) with the 4 x G connecting bolts provided.
(Do not over tighten at this step).



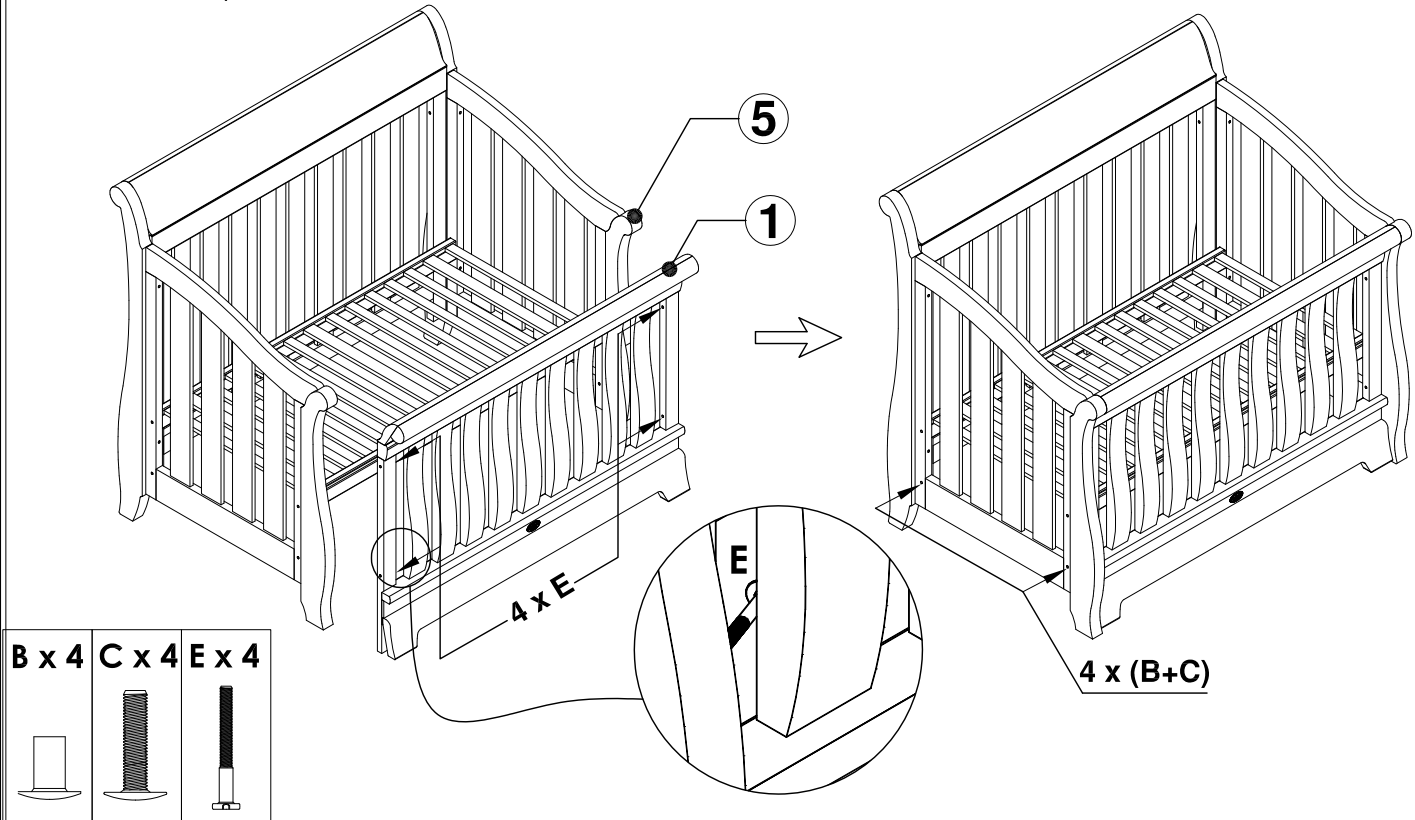
Step 4: Connect **Base** (4) to the two **End Panels** (7) with the 4 x F connecting bolts provided.
(Keep all bolts loose at this step).

Note: **Top Hole** high base position is for newborn.
Bottom Hole low base position is for baby.



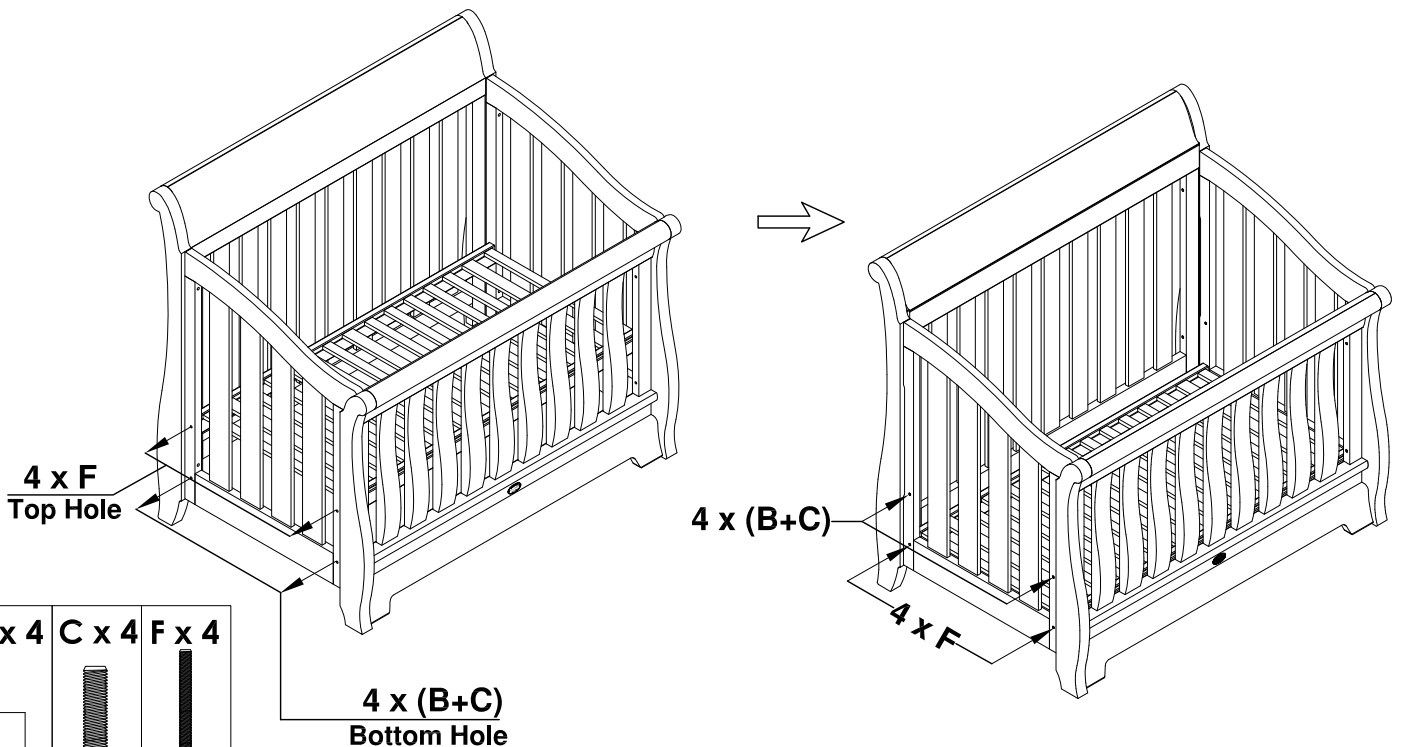
ASSEMBLY AS A CRIB (CONTINUED)

Step 5: Connect **Footboard Panel** (1) to the two **Footboard Legs** (5) with the **4 x E** connecting bolts provided. Cover **Bottom Holes** (low base position holes) with **4 x B** capping nuts and **4 x C** connecting bolts provided.



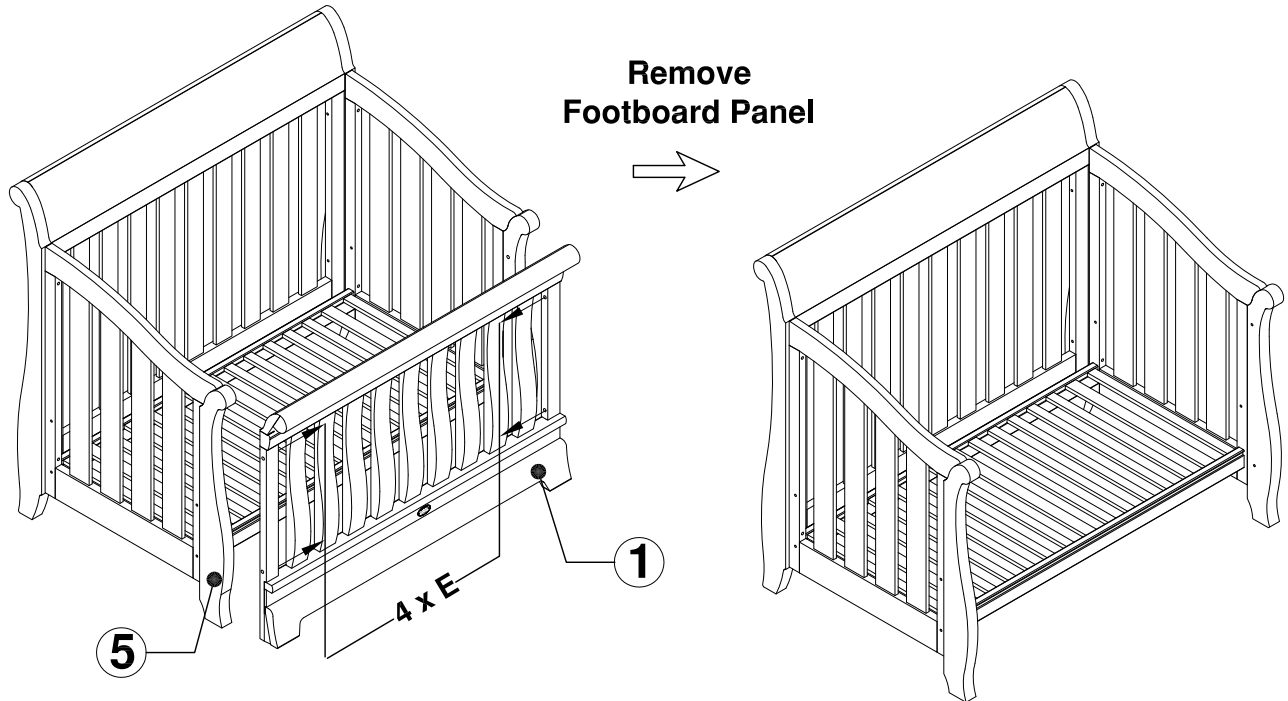
Note: When child is able to sit up, adjust **Base** (4) to the **Bottom Hole** low base position (for baby).

1. Remove bumper pads, large toys and other objects that could serve as steps for climbing out.
2. Remove 4 x B capping nuts and 4 x C connecting bolts from **Bottom Holes** of **End Panels** (7) and use to **block Top Holes** of **End Panels** (7) after securing low base position.
3. Loosen 4 x G connecting bolts on **End Panels** (7) (4 x G connects the **End Panels** (7) to the **Footboard**).
4. Remove 4 x F connecting bolts from the **Top Hole** high base position in **Base** (4) and lower the **Base** (4) to baby position.
5. Connect **Base** (4) to **End Panels** (7) using 4 x F connecting bolts to secure **Bottom Hole** lower base position.
6. Tighten all remaining bolts in the **Base** (4), **End Panels** (7) and **Footboard**.



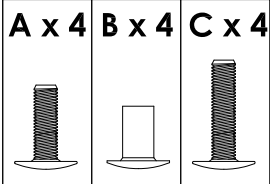
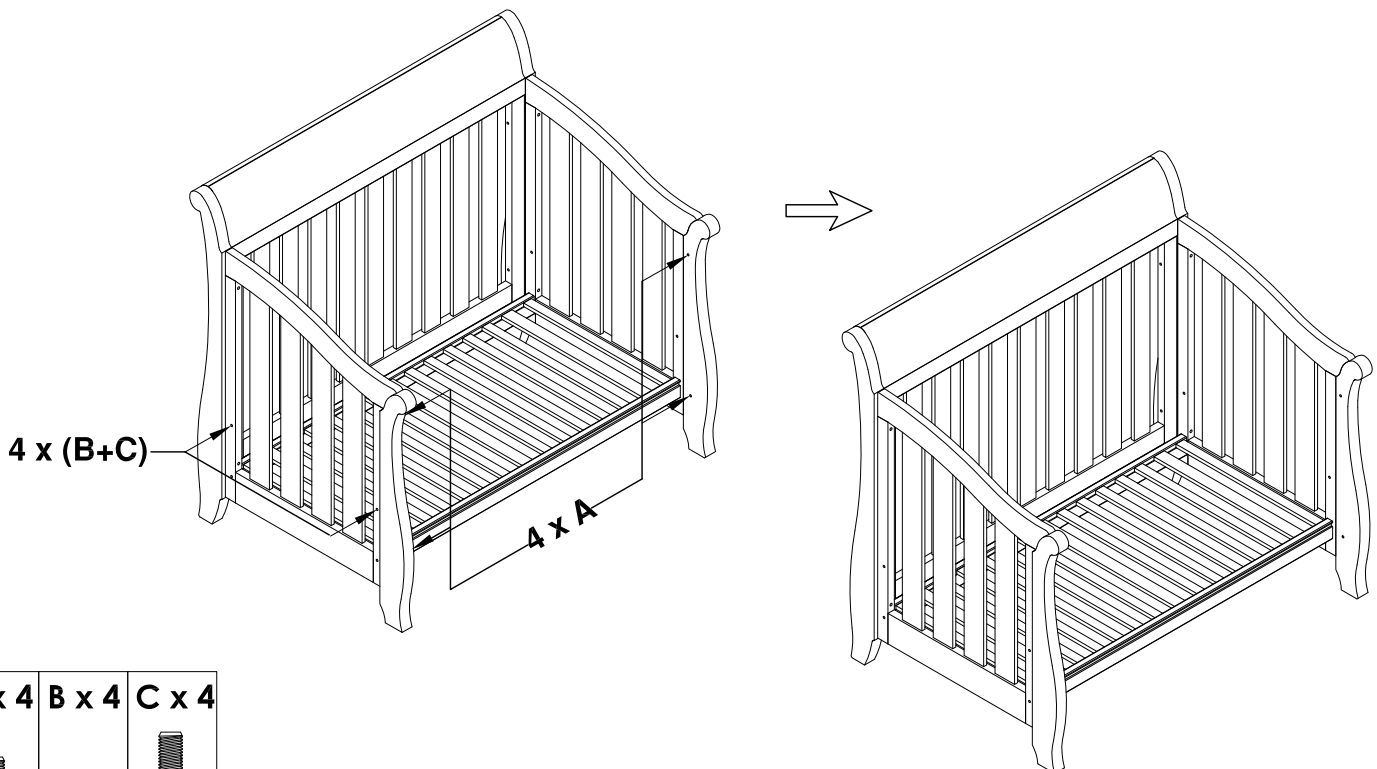
CONVERTING YOUR CRIB TO A DAYBED

- Step 1:** Reposition the **Base** (4) to the **Bottom Hole** lower base position of the **End Panels** (7).
Loosen **4 x F** connecting bolts in the **Base** (4).
Remove **4 x E** connecting bolts from the **Footboard** to separate the **Footboard Panel** (1) from the **Footboard Legs** (5).



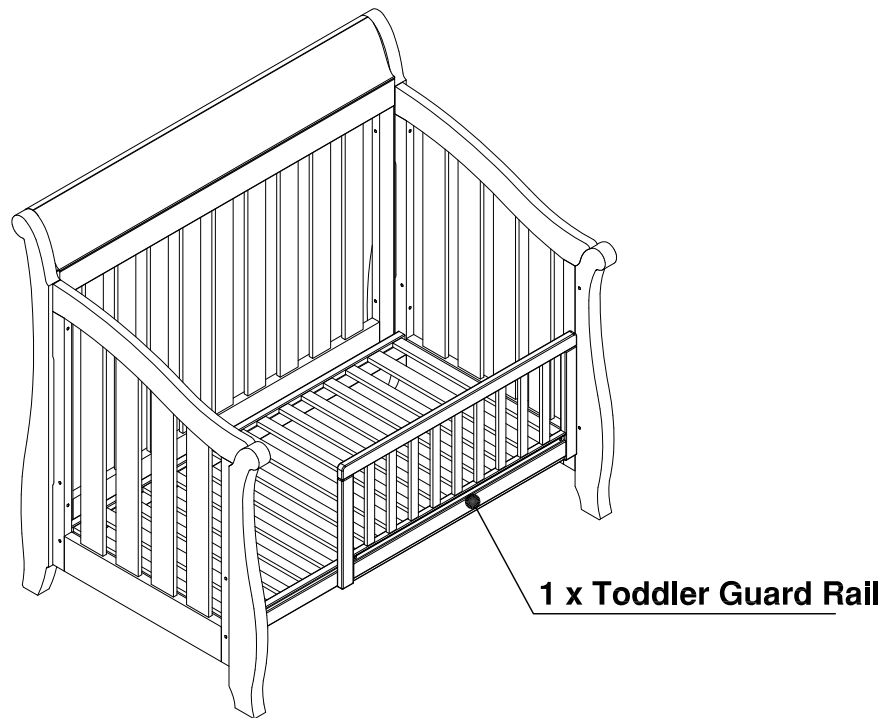
- Step 2:** Screw **4 x A** connecting bolts into **Footboard Legs** (5).

Note: Use **4 x (B+C)** capping nuts and connecting bolts provided to **block the Top Holes**.
Tighten all the connecting bolts.



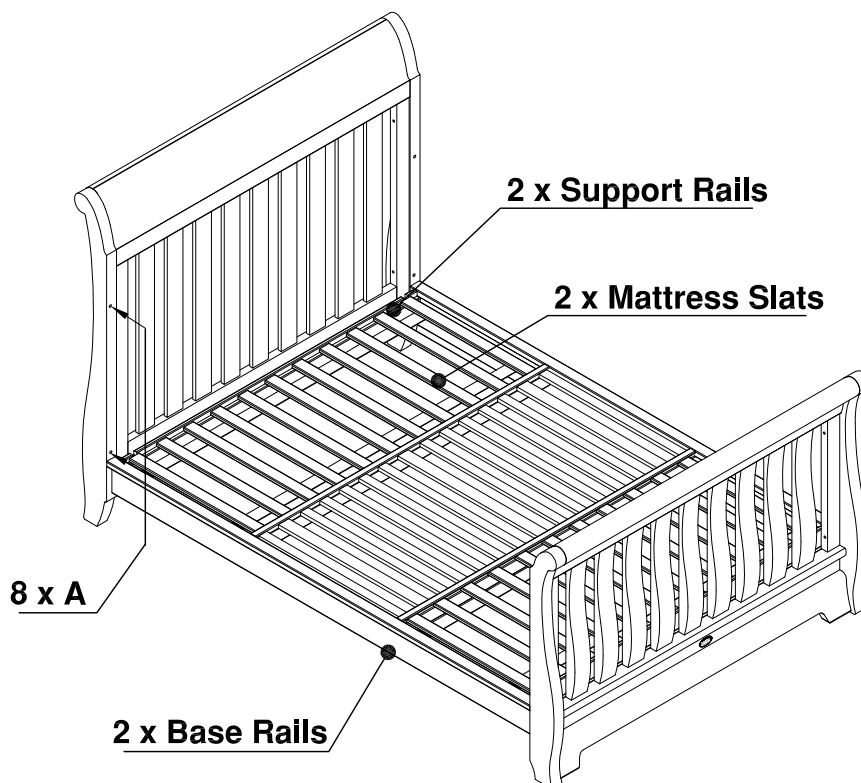
ACCESSORIES

Note: The Toddler Bed Conversion, item **TGR (Toddler Guard Rail)** is sold separately and available in all Boori finishes. Please contact your Boori dealer for more information.



Note: The Full Bed Conversion, item **FBK (Full Bed Conversion Kit)** is sold separately and available in all Boori finishes. Please contact your Boori dealer for more information.

Note: Block remaining holes on **Headboard Legs ⑥** and **Footboard Legs ⑤** with **8 x A** connecting bolts provided.



A x 8

