

Read all instructions BEFORE assembly and USE of product. KEEP INSTRUCTIONS FOR FUTURE USE

IMPORTANT, RETAIN FOR FUTURE REFERENCE

PLEASE READ CAREFULLY



Boori International

AUSTRALIA

27-37 Vallance Street

St. Marys Sydney NSW

2760 Australia

Ph: 61 2 9833 3769 Fax: 61 2 9673 4240

Boori UK Limited

UNITED KINGDOM

Wells house. Unit.5

Woolley Barns, Woolley

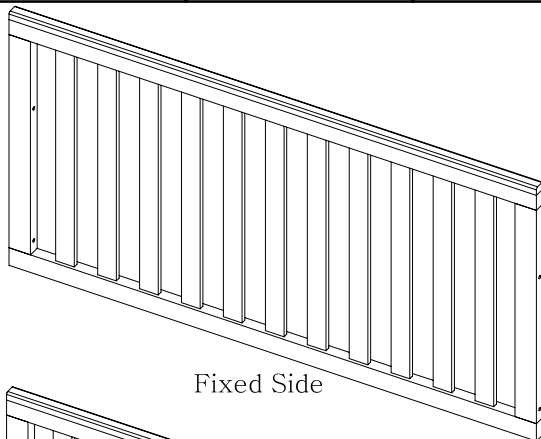
Wantage, OX12 8TA UK

Ph: 44 14 8863 9500 Fax: 44 14 8863 9505

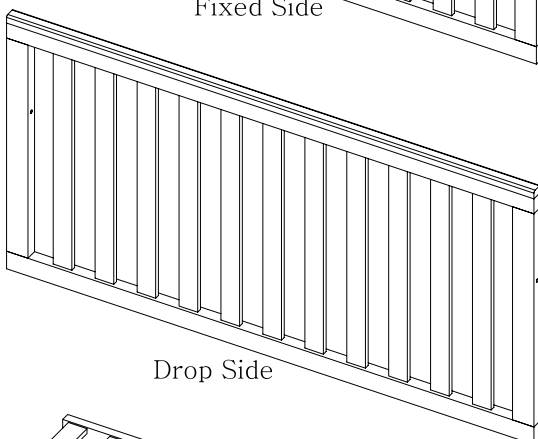
Instructions for the Matilda Cotbed

Cot Hardware and parts list

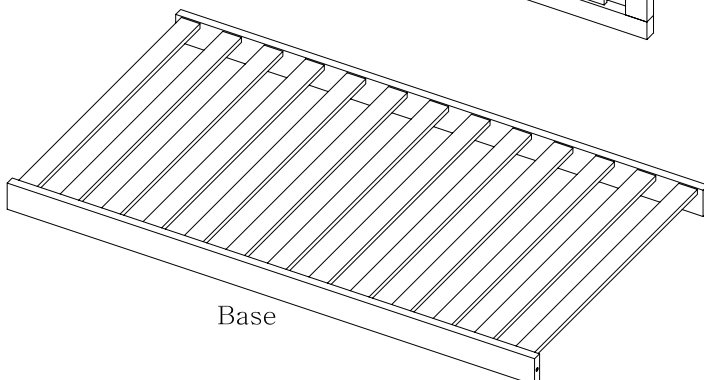
2 x Allen Keys	4 x Drop side glide pins	4 x Capping nuts	4 x 18mm Connecting bolts	4 x 28mm Connecting bolts	8 x 70mm Connecting bolts
	A 	B 	C 	D 	E
			Actual size	Actual size	Actual size



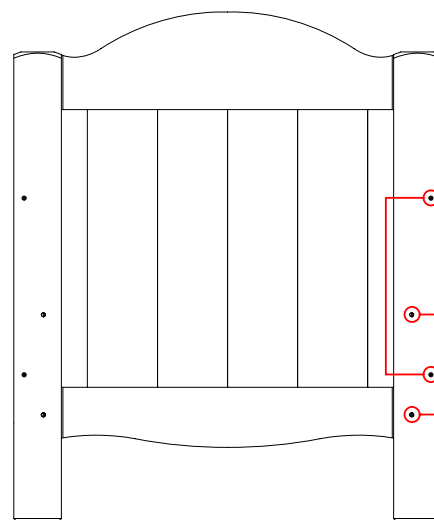
Fixed Side



Drop Side



Base



Glide Pin Holes

Top Hole
(For high base position)

Bottom Hole
(For low base position)

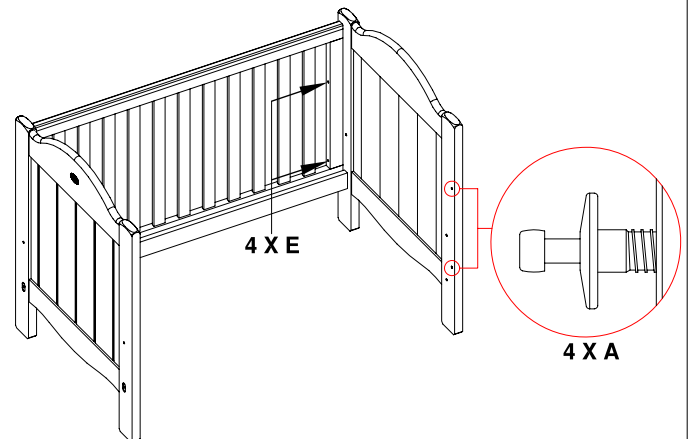
2 x End Panels (Identical)



Assembly as a Cot:

Stage 1:

Connect fixed side panel to the two end panels with the 4 X70mm connecting bolts provided.(Do not tighten at this stage).



Stage 2:

Connect mattress base to the two end panels with the 4X70mm connecting bolts provided.(Keep all bolts loose at this stage).

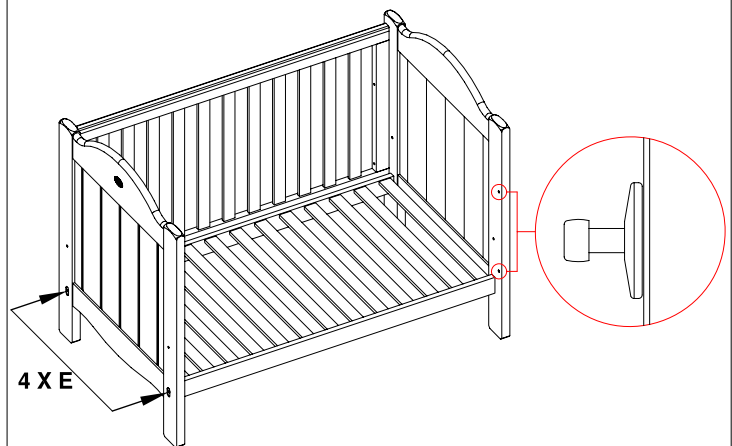
Note:

The upper holes on the end panels are for the high base position. Screw 4 dropside glide pins into the end panels (Make sure they are tight).

IMPORTANT

DO NOT OVERTIGHTEN GLIDE PINS

The skirt/flange of the drop side glide pins **MUST NOT** be beneath the surface of the timber of the cot ends (see diagram).



Stage 3:

Push both end panels outward to allow space for assembly of dropside panel.Allow glide pins of one end panel into the runner first.Then allow the pins on the other into the runner by pulling both end panels inward. Ensure that correct side is facing out (see diagram)

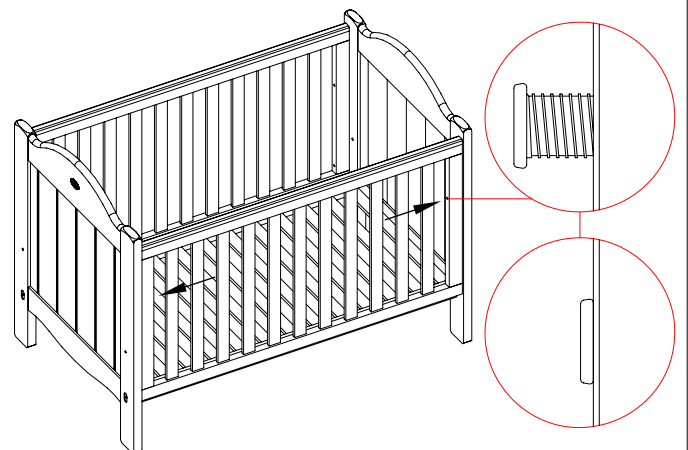
Fully screw in the bolts on both end bars of dropside panel. Tighten all the connecting bolts.(Do not over tighten).Block remaining holes on the end panel with 4 X 28mm connecting bolts and 4 capping nuts provided.

Note:

To disassemble the cot just follow assembly instructions in reverse order.

To lower the dropside panel pull the dropside panel up to the top position.Hold it in that position while using your leg to push (at the centre of bottom bar) inward.Then allow the dropside panel to slide down.

To raise the dropside panel,pull the dropside panel up (from centre of the top bar) until it clicks into the locking position.



Converting to the Junior Bed:

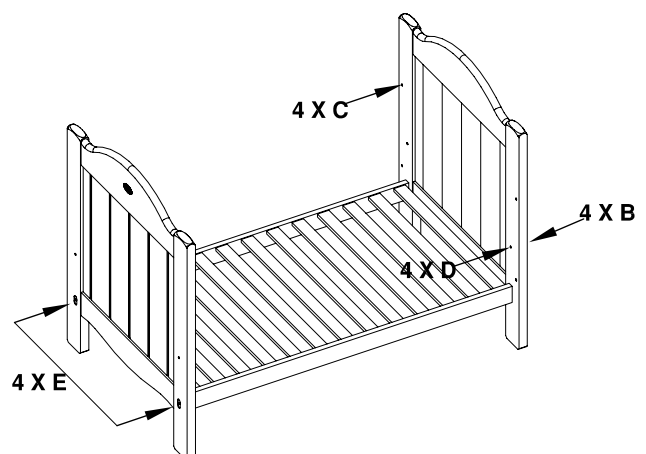
Remove the drop side (see cot assembly instructions).

Remove the 4 drop side glide pins.

Reposition the base to the lower position (bottom hole of end panels).

Remove the fixed side.

Block the top holes with the 28mm connecting bolts and capping nuts provided.





Boori Country Cot/ Bed assembly instructions

FOR AUSTRALIA AND NEW ZEALAND

(AS/NZS 2172:2003)

RECOMMENDED MATTRESS SIZE 1320mm X 770mm X 120mm

This cot has been manufactured for use with a mattress which measures 770mm wide by 1320mm long and a maximum thickness of 120mm. The width and length are specified because it is important that the gaps between the mattress sides and ends of the cot will not exceed 40mm. This is to minimise the risk of a child's limb becoming caught in the gap. The thickness of the mattress has been specified to ensure that the depth of the cot is greater than 500mm with the mattress base in the lower position to minimise the risk of a child climbing or falling out of the cot.

Warning:

- * **TO ENSURE THE SAFETY OF YOUR COT, REGULARLY CHECK ALL THE CONNECTING BOLTS AND GLIDE PINS MAKING SURE THEY ARE TIGHT.**
- * **TO PREVENT FALLS OR SUFFOCATION THE MAXIMUM MATTRESS THICKNESS SHOULD NOT EXCEED 120MM .**
- * **TO PREVENT FALLS, THE MATTRESS BASE OF THIS COT SHOULD BE ADJUSTED TO THE LOWEST POSITION BEFORE THE CHILD CAN SIT UP.**
- * Follow the manufacturer's assembly instructions in detail to ensure the safety features of the cot are not compromised.
- * Ensure the cot is placed at a reasonable distance from curtains, blinds, heaters and power points.
- * Keep cot free of any toys, cushions etc that could be used as a foothold or present a danger of suffocation or strangulation.
- * Keep medication, String, elastic or small items such as money out of reach from any position in the cot.

FOR THE UK

(EN 716-2008)

RECOMMENDED MATTRESS SIZE 1320mm X 770mm x 120mm

If you leave the child unattended in the cot, always make sure that the drop side is in the highest position.

This cot has been manufactured for use with a mattress which measures 770mm wide by 1320mm long and a maximum thickness of 120mm. The width and length shall be such that the gap between the mattress and the sides and ends does not exceed 30mm. The thickness of the mattress has been specified to ensure that the depth of the cot is greater than 500mm with the mattress base in the lower position and 200mm with the mattress in the highest position to minimise the risk of a child climbing or falling out of the cot.

Warning:

- * **TO ENSURE THE SAFETY OF YOUR COT, REGULARLY CHECK ALL THE CONNECTING BOLTS AND GLIDE PINS MAKING SURE THEY ARE TIGHT, CARE SHOULD BE TAKEN THAT NO SCREWS ARE LOOSE BECAUSE A CHILD COULD TRAP PARTS OF THE BODY OR CLOTHING (EG. Strings, necklaces, ribbons for babies dummies), WHICH WOULD POSE A RISK OF STRANGULATION.**
- * **TO PREVENT FALLS, THE MAXIMUM MATTRESS THICKNESS SHOULD NOT EXCEED 120MM.**
- * **TO PREVENT FALLS, THE MATTRESS BASE OF THIS COT SHOULD BE ADJUSTED TO THE LOWEST POSITION BEFORE THE CHILD CAN SIT UP.**
- * **TO PREVENT INJURY FROM FALLS THAT WHEN THE CHILD IS ABLE TO CLIMB OUT OF THE COT, THE COT SHALL NO LONGER BE USED FOR THAT CHILD.**
- * Be aware of the risk of open fire and other sources of strong heat, such as electric bar fires, gas fires, etc. in the near vicinity of the cot.
- * Do not use the cot if any part is broken, torn or missing and use only spare parts approved by the manufacturer.
- * Do not leave anything in the cot or place the cot close to another product, which could provide a foothold or present a danger of suffocation or strangulation, e.g. strings, blind/curtain cords, etc.
- * Do not use more than one mattress in the cot.



Boori Country Cot/ Bed assembly instructions

FOR THE U.S.A.

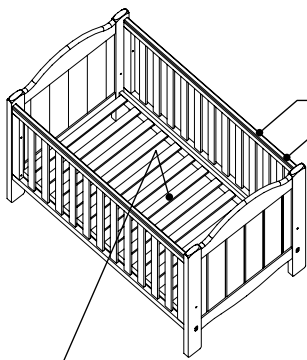
(ASTM F 406-08a)

RECOMMENDED MATTRESS SIZE 52 in (1320mm) X 30 $\frac{1}{4}$ in (770mm) X 4 $\frac{3}{4}$ in (120mm)

This cot has been manufactured for use with a mattress which measures 30 $\frac{1}{4}$ in (770mm) wide by 52 in (1320mm) long and a maximum thickness of 4 $\frac{3}{4}$ in (120mm). The width and length are specified because it is important that the gaps between the mattress sides and ends of the cot will not exceed 1 $\frac{1}{5}$ in (30mm). This is to minimise the risk of a child's limb becoming caught in the gap. The thickness of the mattress has been specified to ensure that the depth of the cot is greater than 19 $\frac{3}{4}$ in (500mm) with the mattress base in the lower position to minimise the risk of a child climbing or falling out of the cot.

Warning:

- * The product, including side rails, must be fully erected prior to use.
- * Strings can cause strangulation! Never place items with a string around a child's neck such as hood strings or pacifier cords. Never suspend strings over product or attach strings to toys.
- * Discontinue use of the product when child is able to climb out or reaches the height of 35 in. (890mm)
- * When child is able to pull to standing position, set mattress/base to lowest adjustment position and remove bumper pads, large toys, and other objects that could serve as steps for climbing out.
- * Never place product near a window where cords from blinds or drapes can strangle a child.
- * Use ONLY mattress/pad provided by BOORI INTERNATIONAL (which must be at least 30 $\frac{1}{4}$ in. long by 52 in. wide and not more than 4 $\frac{3}{4}$ in. thick).
- * Always provide the supervision necessary for the continued safety of your child. When used for playing, never leave child unattended.
- * To reduce the risk of SIDS, pediatricians recommend healthy infants be placed on their back to sleep, unless otherwise advised by your physician.
- * Never use this product if there are any loose or missing fasteners, loose joints, broken parts, or torn mesh/fabric. Check before assembly and periodically during use. Contact BOORI INTERNATIONAL for replacement parts. Never substitute parts.
- * Never leave child in product with side lowered. Be sure side is in raised and locked position whenever child is in product.
- * Never use plastic shipping bags or other plastic film as mattress covers not sold and intended for that purpose. They can cause suffocation.



 **WARNING**
See the cot base for warnings.

 **WARNING**
Infants can suffocate
• In gaps between a mattress too small or too thick and product sides
• On soft bedding
NEVER add a mattress, pillow, comforter, or padding.

MADE IN CHINA BY BOORI INTERNATIONAL

RECOMMENDED MATTRESS SIZE: 770mm WIDE x 1320mm LONG x 120mm THICK.



WARNING: TO PREVENT FALLS, THE MATTRESS THICKNESS SHOULD NOT EXCEED 120mm. TO PREVENT FALLS, THE MATTRESS BASE OF THIS COT SHOULD BE ADJUSTED TO THE LOWEST POSITION BEFORE THE CHILD CAN SIT UP. NEVER USE A WATER MATTRESS WITH THIS PRODUCT. FAILURE TO FOLLOW THESE WARNINGS AND THE INSTRUCTIONS COULD RESULT IN SERIOUS INJURY OR DEATH.