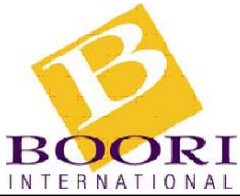


Read all instructions BEFORE assembly and USE of product. KEEP INSTRUCTIONS FOR FUTURE USE

IMPORTANT, RETAIN FOR FUTURE REFERENCE
PLEASE READ CAREFULLY



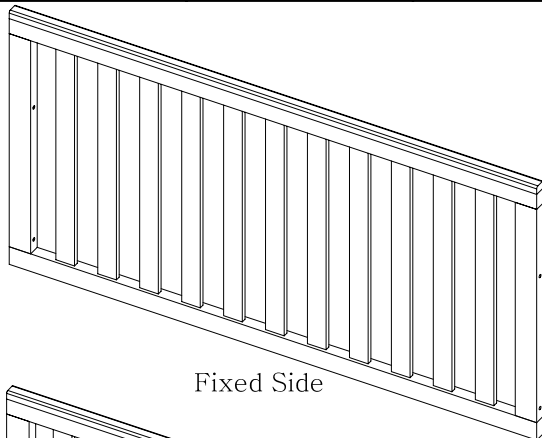
Boori International
 AUSTRALIA
 18-20 Charles Street
 St. Marys Sydney NSW
 2760 Australia
 Ph: 61 2 9833 3769 Fax: 61 2 9673 4240

Boori (UK) Ltd
 Unit 8, Transigo,
 Gables Way, Kennet Park,
 Thatcham, Berkshire,
 RG19 4ZA
 Ph: (44) 016 3529 5670 Fax: (44) 016 3587 7552

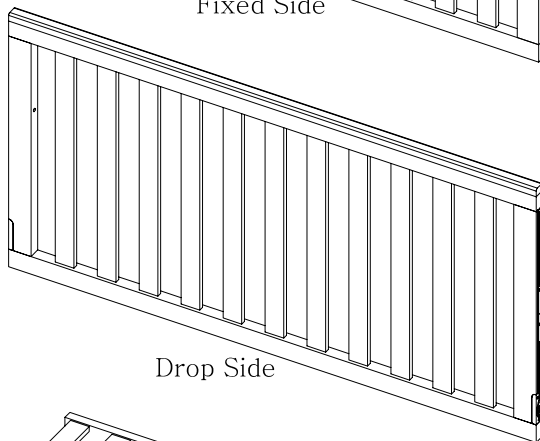
Instructions for the Classic Cot/Bed

Cot Hardware and parts list

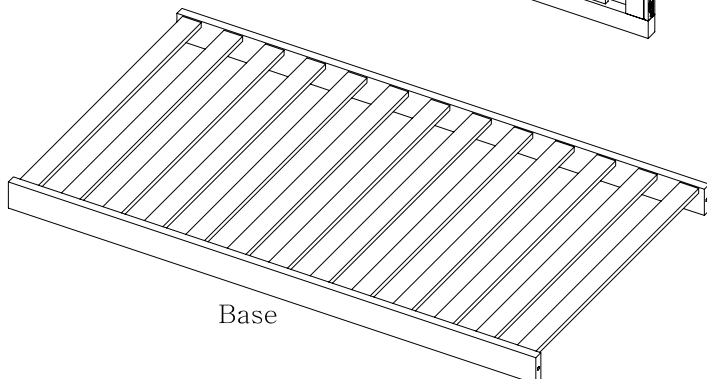
2 x Allen Keys	4 x Drop side glide pins	4 x Capping nuts	4 x 18mm Connecting bolts	4 x 28mm Connecting bolts	8 x 70mm Connecting bolts
	A 	B 	C 	D 	E
			Actual size	Actual size	Actual size



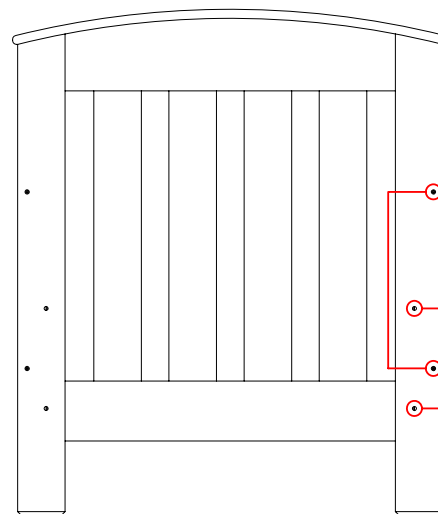
Fixed Side






Drop Side



Base



2 x End Panels (Identical)

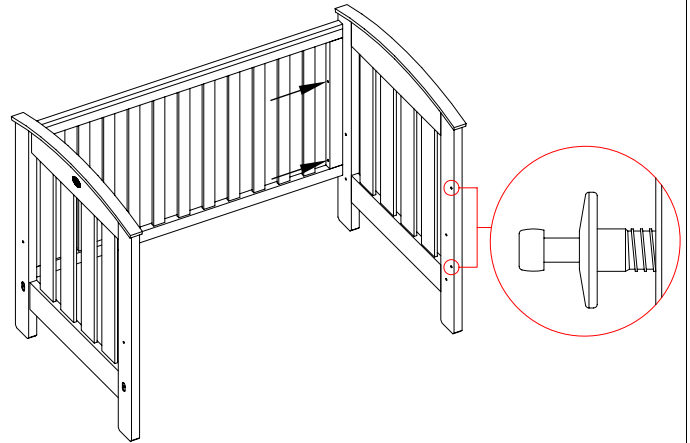
-  **Glide Pin Holes**
-  **Top Hole**
(For high base position)
-  **Bottom Hole**
(For low base position)

Actual size

Assembly as a Cot:

Stage 1:

Connect fixed side panel to the two end panels with the 4 X70mm connecting bolts provided.(Do not tighten at this stage).



Stage 2:

Connect mattress base to the two end panels with the 4X70mm connecting bolts provided.(Keep all bolts loose at this stage).

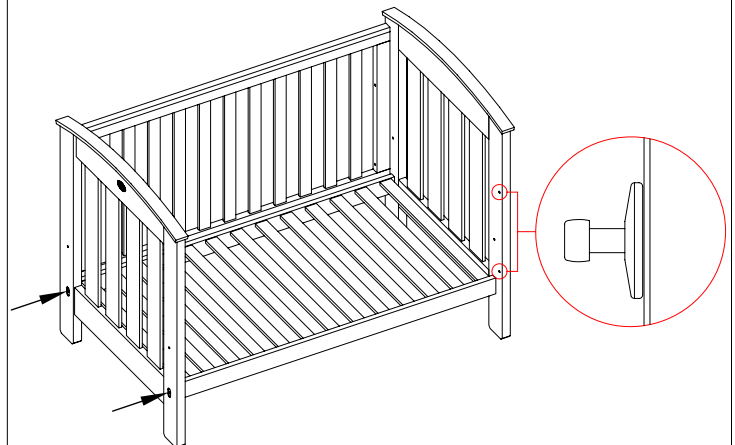
Note:

The upper holes on the end panels are for the high base position. Screw 4 dropside glide pins into the end panels (Make sure they are tight).

IMPORTANT

DO NOT OVERTIGHTEN GLIDE PINS

The skirt/flange of the drop side glide pins **MUST NOT** be beneath the surface of the timber of the cot ends (see diagram).



Stage 3:

Push both end panels outward to allow space for assembly of dropside panel.Allow glide pins of one end panel into the runner first.Then allow the pins on the other into the runner by pulling both end panels inward. Ensure that correct side is facing out (see diagram)

Fully screw in the bolts on both end bars of dropside panel.

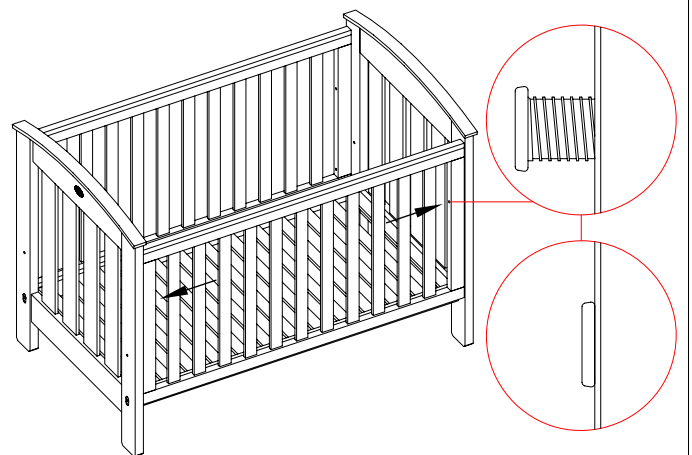
Tighten all the connecting bolts.(Do not over tighten).Block remaining holes on the end panel with 4 X 28mm connecting bolts and 4 capping nuts provided.

Note:

To disassemble the cot just follow assembly instructions in reverse order.

To lower the dropside panel pull the dropside panel up to the top position.Hold it in that position while using your leg to push (at the centre of bottom bar) inward.Then allow the dropside panel to slide down.

To raise the dropside panel,pull the dropside panel up (from centre of the top bar) until it clicks into the locking position.



Converting to the Junior Bed:

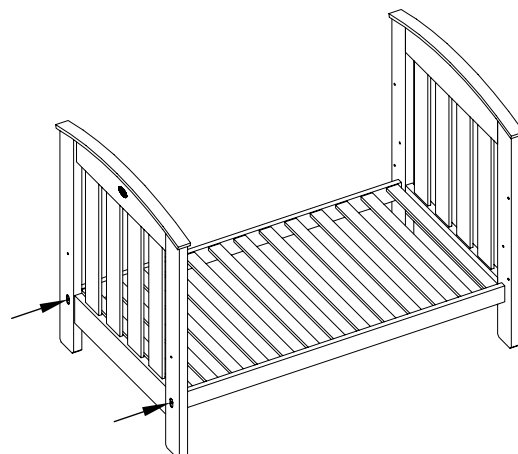
Remove the drop side (see cot assembly instructions).

Remove the 4 drop side glide pins.

Reposition the base to the lower position (bottom hole of end panels).

Remove the fixed side.

Block the top holes with the 28mm connecting bolts and capping nuts provided.





Boori Country Cot/ Bed assembly instructions

FOR AUSTRALIA AND NEW ZEALAND

(AS/NZS 2172:2003)

RECOMMENDED MATTRESS SIZE 1320mm X 770mm X 120mm

This cot has been manufactured for use with a mattress which measures 770mm wide by 1320mm long and a maximum thickness of 120mm. The width and length are specified because it is important that the gaps between the mattress sides and ends of the cot will not exceed 40mm. This is to minimise the risk of a child's limb becoming caught in the gap. The thickness of the mattress has been specified to ensure that the depth of the cot is greater than 500mm with the mattress base in the lower position to minimise the risk of a child climbing or falling out of the cot.

Warning:

- * **TO ENSURE THE SAFETY OF YOUR COT, REGULARLY CHECK ALL THE CONNECTING BOLTS AND GLIDE PINS MAKING SURE THEY ARE TIGHT.**
- * **TO PREVENT FALLS OR SUFFOCATION THE MAXIMUM MATTRESS THICKNESS SHOULD NOT EXCEED 120MM .**
- * **TO PREVENT FALLS, THE MATTRESS BASE OF THIS COT SHOULD BE ADJUSTED TO THE LOWEST POSITION BEFORE THE CHILD CAN SIT UP.**
- * Follow the manufacturer's assembly instructions in detail to ensure the safety features of the cot are not compromised.
- * Ensure the cot is placed at a reasonable distance from curtains, blinds, heaters and power points.
- * Keep cot free of any toys, cushions etc that could be used as a foothold or present a danger of suffocation or strangulation.
- * Keep medication, String, elastic or small items such as money out of reach from any position in the cot.

FOR THE UK

(EN 716-2008)

RECOMMENDED MATTRESS SIZE 1320mm X 770mm x 120mm

If you leave the child unattended in the cot, always make sure that the drop side is in the highest position.

This cot has been manufactured for use with a mattress which measures 770mm wide by 1320mm long and a maximum thickness of 120mm. The width and length shall be such that the gap between the mattress and the sides and ends does not exceed 30mm. The thickness of the mattress has been specified to ensure that the depth of the cot is greater than 500mm with the mattress base in the lower position and 200mm with the mattress in the highest position to minimise the risk of a child climbing or falling out of the cot.

Warning:

- * **TO ENSURE THE SAFETY OF YOUR COT, REGULARLY CHECK ALL THE CONNECTING BOLTS AND GLIDE PINS MAKING SURE THEY ARE TIGHT, CARE SHOULD BE TAKEN THAT NO SCREWS ARE LOOSE BECAUSE A CHILD COULD TRAP PARTS OF THE BODY OR CLOTHING (EG. Strings, necklaces, ribbons for babies dummies), WHICH WOULD POSE A RISK OF STRANGULATION.**
- * **TO PREVENT FALLS, THE MAXIMUM MATTRESS THICKNESS SHOULD NOT EXCEED 120MM.**
- * **THE LOWEST POSITION IS THE SOFEST AND THAT THE BASE SHOULD ALWAYS BE USED IN THAT POSITION AS SOON AS THE BABY IS OLD ENOUGH TO SIT UP.**
- * **TO PREVENT INJURY FROM FALLS THAT WHEN THE CHILD IS ABLE TO CLIMB OUT OF THE COT, THE COT SHALL NO LONGER BE USED FOR THAT CHILD.**
- * Be aware of the risk of open fire and other sources of strong heat, such as electric bar fires, gas fires, etc. in the near vicinity of the cot.
- * Do not use the cot if any part is broken, torn or missing and use only spare parts approved by the manufacturer.
- * Do not leave anything in the cot or place the cot close to another product, which could provide a foothold or present a danger of suffocation or strangulation, e.g. strings, blind/curtain cords, etc.
- * Do not use more than one mattress in the cot.